



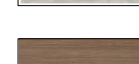
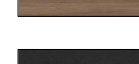
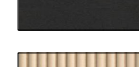
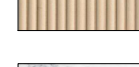
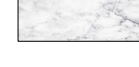





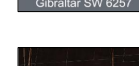


MATERIALS & COLORS

COLOR:

-  WD-01 - V.E- V&V VENEER
-  WD-02 - 3D WALL PANEL - WHITE
-  PT-01 - SHERMAN WILLIAMS SW 6203 SPARE WHITE
-  FB-01 - UPHOLSTERY FABRIC
-  PL-01 - PLASTIC LAMINATE
-  MT-03 - METAL ELEVATOR DOORS BLACK
-  WD-04 - 3D WALL PANEL WOOD. INTERLAM FL1
-  ST-02 - PORCELAIN SLAB MARBLE LOOK
-  PT02 - SHERMAN WILLIAMS SW 7017 DORIAN GRAY
-  WD-03 - WOOD EXTERIOR APLICATION.
-  WD-02 - WD-02 3D WALL PANEL WHITE.INTERLAM ART DIFFUSION
-  WD-05 - 3D WALL PANEL - WOOD
-  PT-03 - SHERMAN WILLIAMS SW 6257 GIBRALTAR
-  TL-03 - PORCELAIN SLAB MARBLE-LOOK
-  ST-01 - WHITE STONE/PLASTER LOOK

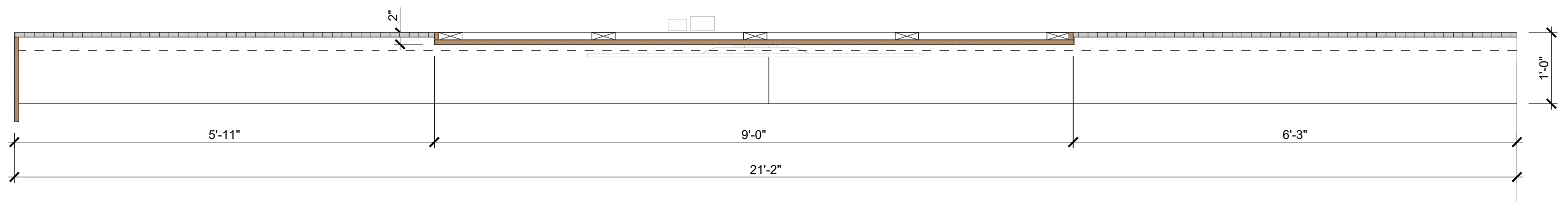
INDEX

CS-000	COVER
FE-200	ELEVATION A
FE-201	ELEVATION B
FE-202	ELEVATION C
FE-203	ELEVATION D
FE-204	ELEVATION E
FE-205	ELEVATION F
FE-206	ELEVATION G - H
FE-207	ELEVATION I
FE-208	ELEVATION J
FE-209	ELEVATION K - L
FE-210	ELEVATION M - N - O - P - Q
FE-211	ELEVATION R
FE-212	ELEVATION S - T
FE-213	ELEVATION U
FE-214	ELEVATION V

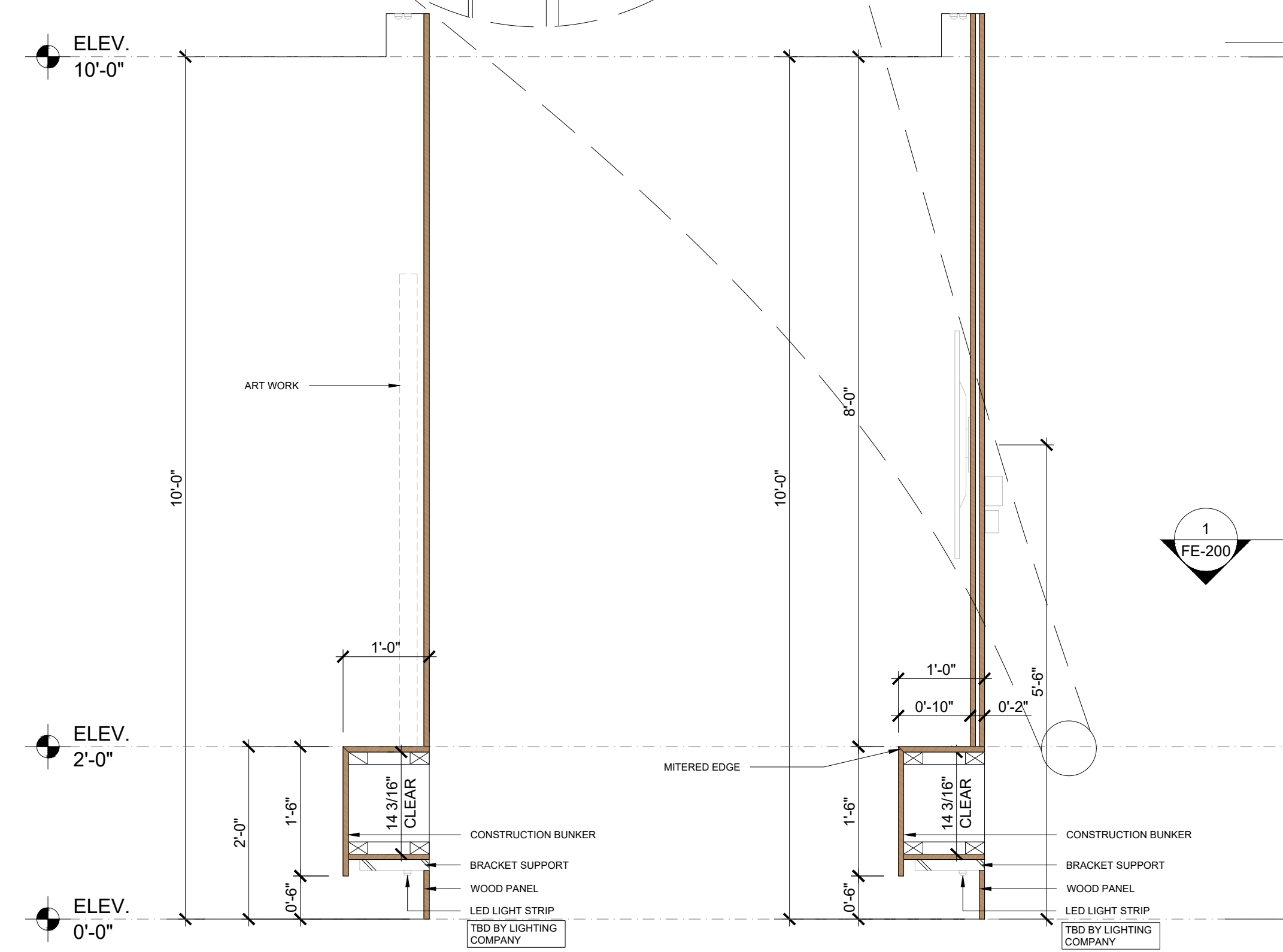
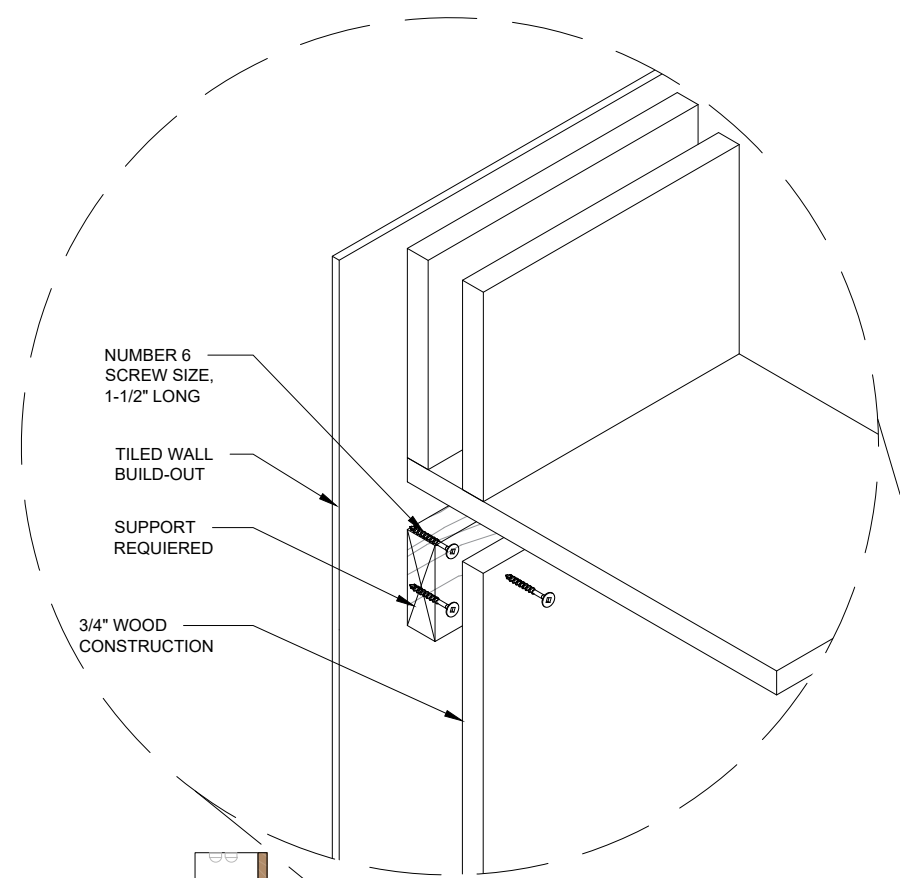
**PLEASE CONFIRM ALL
CLOUDED DIMENSIONS,
PLEASE CONFIRM THE
MATERIALS AND COLOR.**

**PLEASE, CONFIRM IF RENDER FOR
THESE DRAWINGS WILL BE ON
SCOPE.**

PROJECT:	SHOP DRAWING:	<table border="1" style="width: 100%; border-collapse: collapse;"> <thead> <tr> <th>REVISION N°</th> <th>DATE</th> <th>DESCRIPTION</th> </tr> </thead> <tbody> <tr> <td style="text-align: center;">1</td> <td style="text-align: center;">2021.11.09</td> <td>SUBMISSION 1</td> </tr> <tr> <td style="text-align: center;">2</td> <td style="text-align: center;">2021.12.20</td> <td>SUBMISSION 2</td> </tr> <tr> <td style="text-align: center;">3</td> <td style="text-align: center;">2022.02.08</td> <td>SUBMISSION 3</td> </tr> </tbody> </table>	REVISION N°	DATE	DESCRIPTION	1	2021.11.09	SUBMISSION 1	2	2021.12.20	SUBMISSION 2	3	2022.02.08	SUBMISSION 3	LOCATION:	CONTENT:	DATE:
REVISION N°	DATE	DESCRIPTION															
1	2021.11.09	SUBMISSION 1															
2	2021.12.20	SUBMISSION 2															
3	2022.02.08	SUBMISSION 3															
			JOB #: --	COVER SHEET & GENERAL NOTES	8/02/2022												
			REVISED BY: D.C.		SCALE: N/A												
			DRAWN BY: D.P.		SHEET NUMBER: CS-000												

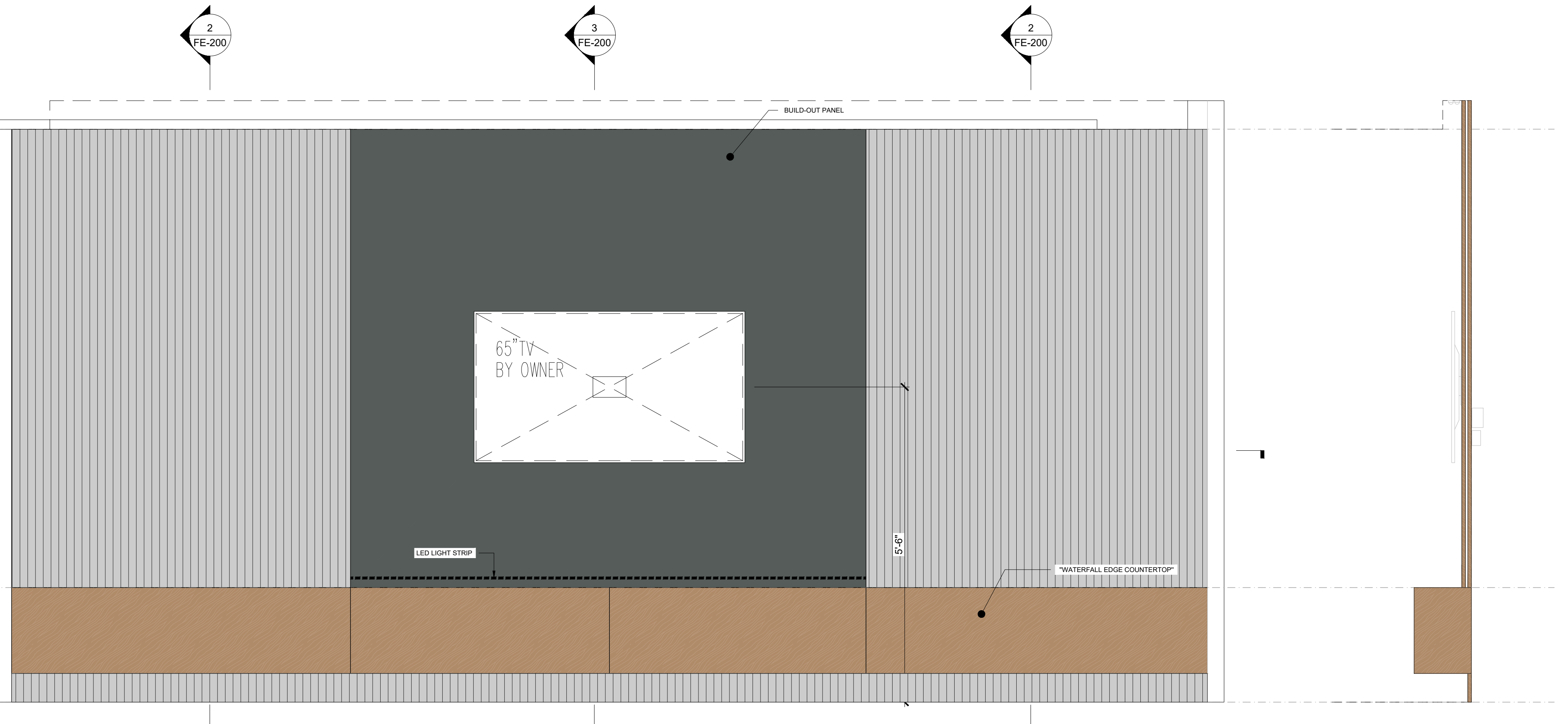


1 Cymbal Multifamily Plan Millwork Ground Floor
FROM: AA / ID-107 SCALE: 3/4" = 1'-0"



2 Cymbal Multifamily Section
FROM: A / ID-107 SCALE: 3/4" = 1'-0"

3 Cymbal Multifamily Section
FROM: B / ID-107 SCALE: 3/4" = 1'-0"

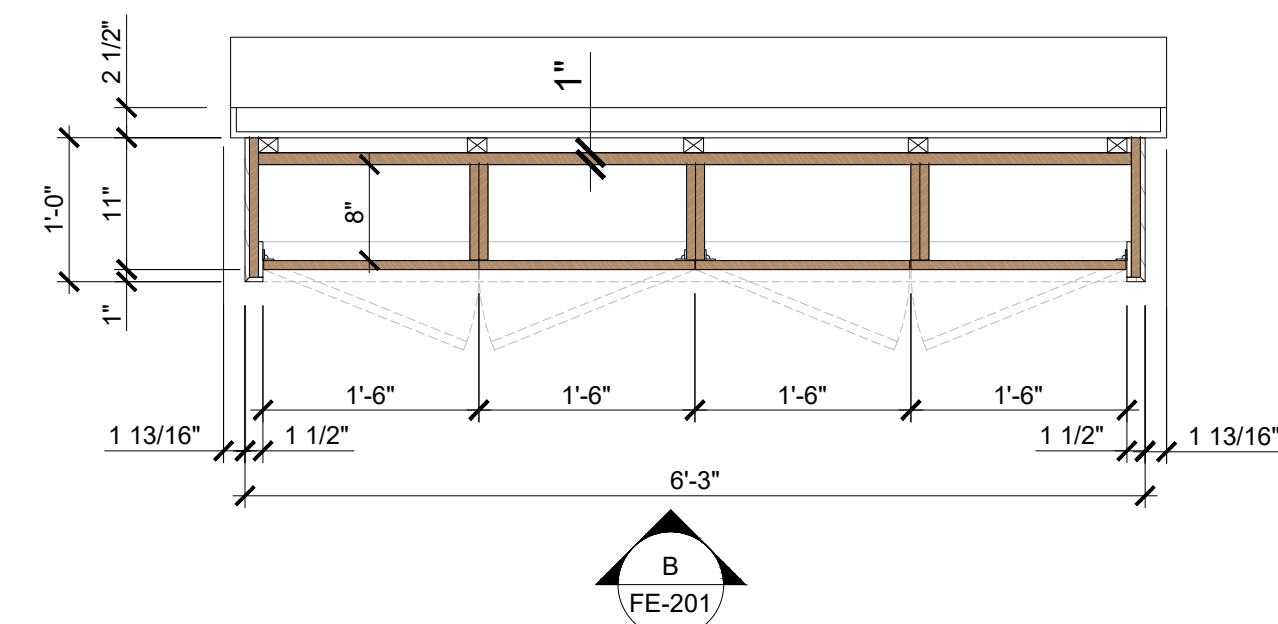


A Cymbal Multifamily Elevation Lounge & Clubroom
FROM: 1 / ID-107 SCALE: 3/4" = 1'-0"

A1 Side Elevation
FROM: 1 / ID-107 SCALE: 3/4" = 1'-0"

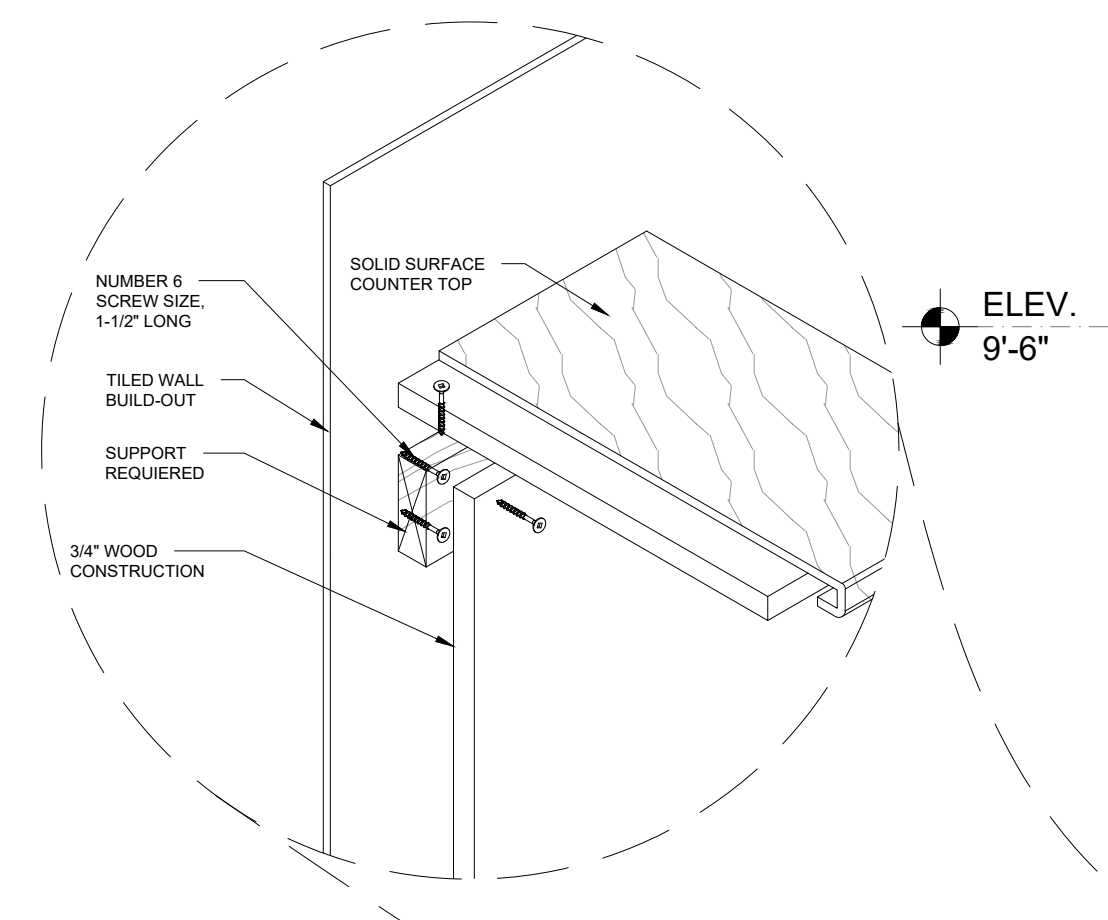
- WD-01 - V.E. V&V VENEER
- WD-02 - 3D WALL PANEL - WHITE
- PT-03 - SHERMAN WILLIAMS SW 6257 GIBRALTAR

PROJECT:	SHOP DRAWING:	<table border="1"> <thead> <tr> <th>REVISION N°</th> <th>DATE</th> <th>DESCRIPTION</th> </tr> </thead> <tbody> <tr> <td>1</td> <td>2021.11.09</td> <td>SUBMISSION 1</td> </tr> <tr> <td>2</td> <td>2021.12.20</td> <td>SUBMISSION 2</td> </tr> <tr> <td>3</td> <td>2022.02.08</td> <td>SUBMISSION 3</td> </tr> </tbody> </table>	REVISION N°	DATE	DESCRIPTION	1	2021.11.09	SUBMISSION 1	2	2021.12.20	SUBMISSION 2	3	2022.02.08	SUBMISSION 3	LOCATION:	CONTENT:	DATE:
REVISION N°	DATE	DESCRIPTION															
1	2021.11.09	SUBMISSION 1															
2	2021.12.20	SUBMISSION 2															
3	2022.02.08	SUBMISSION 3															
			JOB #:	ELEVATION A	8/02/2022												
			REVISED BY: D.C.		SCALE: 3/4" = 1'-0"												
			DRAWN BY: D.P.		SHEET NUMBER:												
					FE-200												



1 CYMBAL MULTIFAMILY PLAN
FROM: BB / ID-107 SCALE: 3/4" = 1'-0"

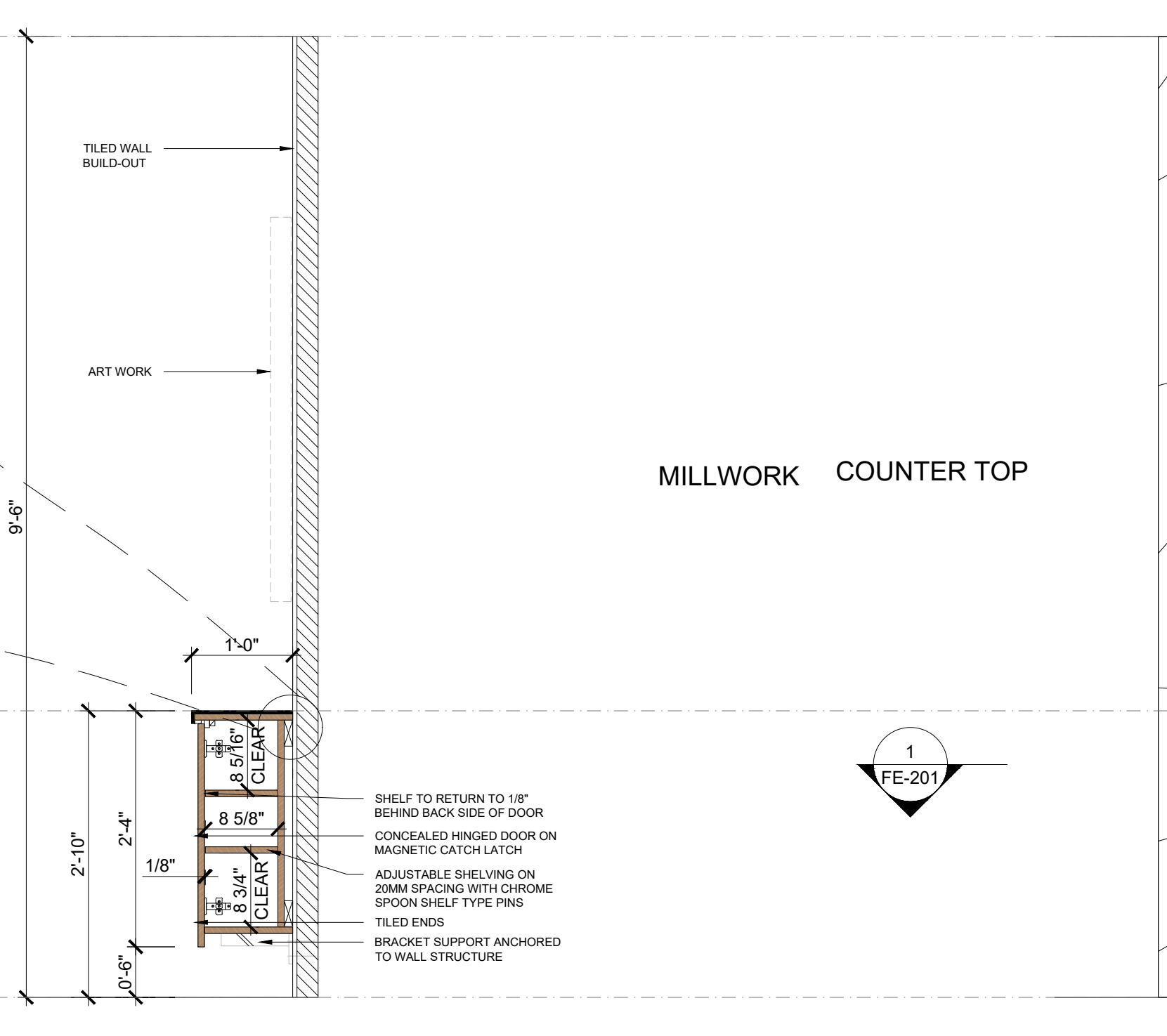
2 FE-201



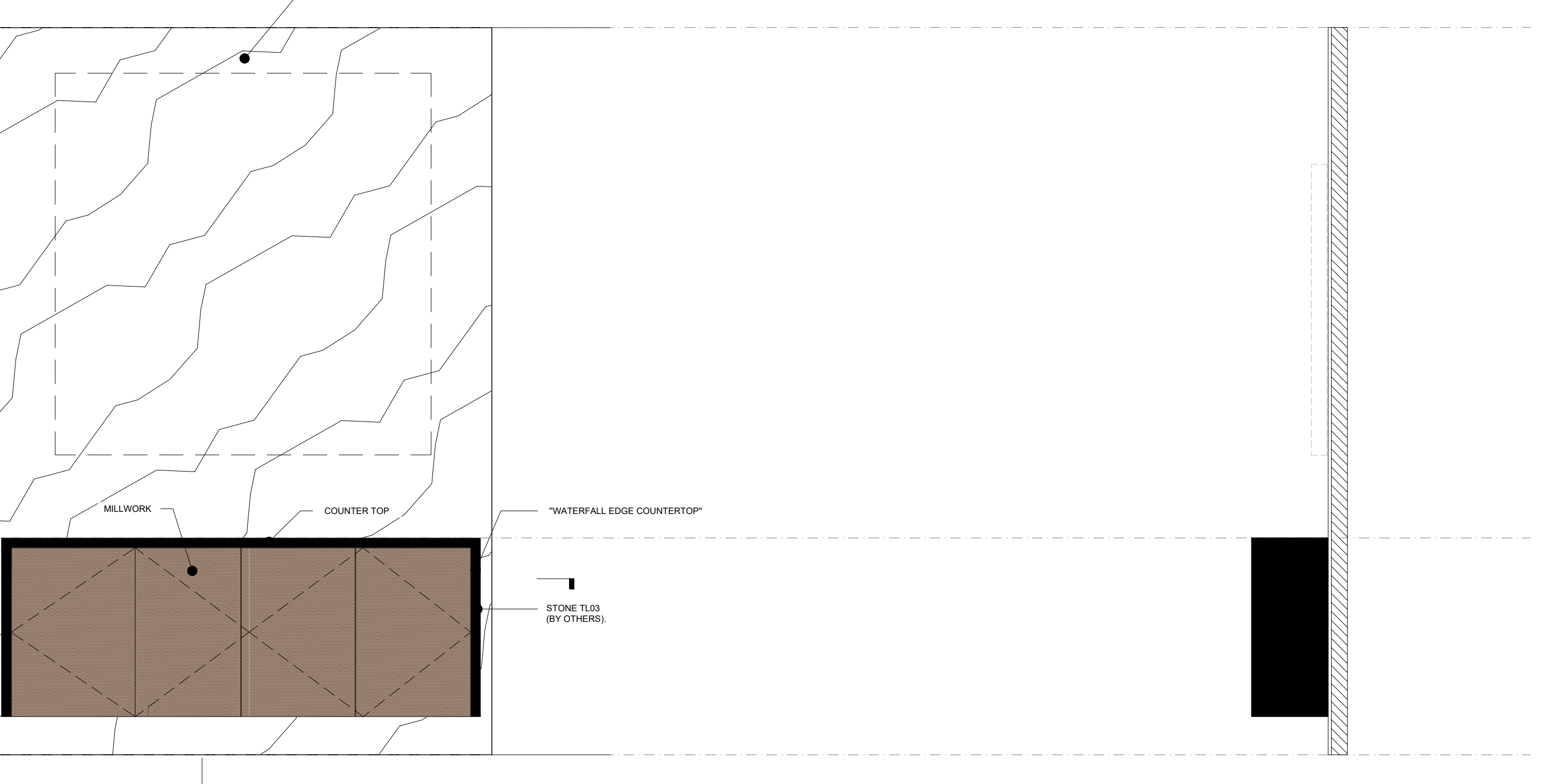
ELEV. 9'-6"

ELEV. 2'-10"

ELEV. 0'-0"



2 CYMBAL MULTIFAMILY SECTION
FROM: D / ID-107 SCALE: 3/4" = 1'-0"

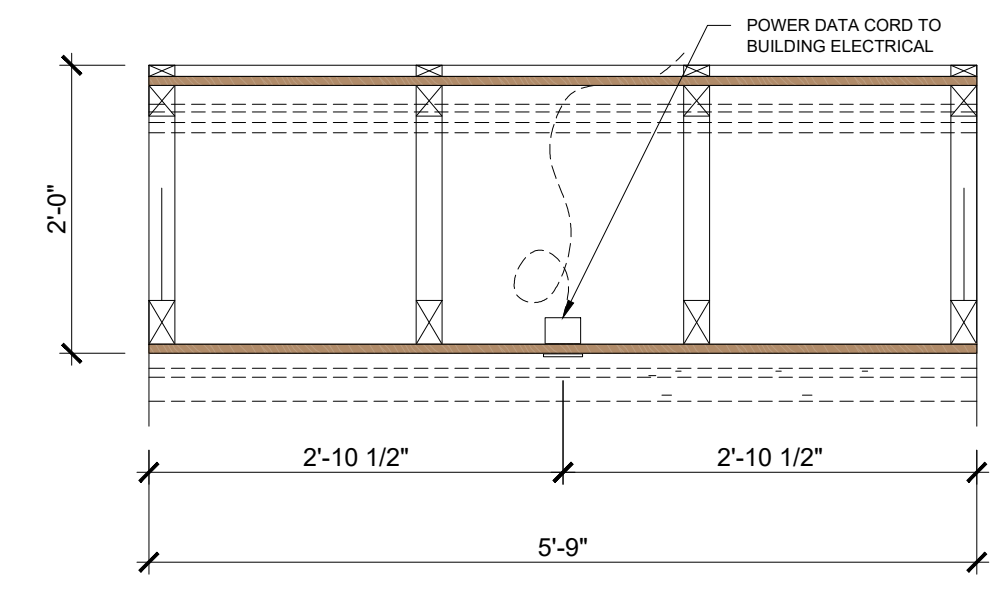


B CYMBAL MULTIFAMILY ELEVATION LOUNGE & CLUBROOM
FROM: 2 / ID-107 SCALE: 3/4" = 1'-0"

B1 SIDE ELEVATION
FROM: 2 / ID-107 SCALE: 3/4" = 1'-0"

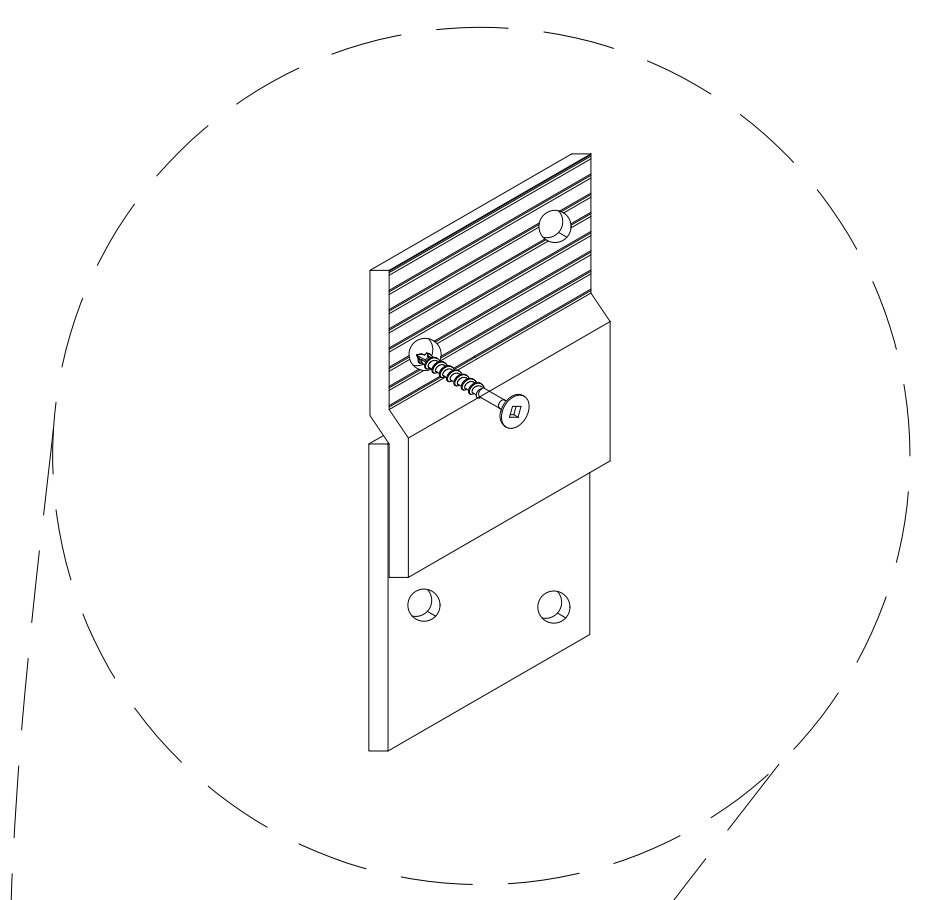
- PL-01 - PLASTIC LAMINATE
- TL-03 - PORCELAIN SLAB MARBLE-LOOK

PROJECT:	SHOP DRAWING:	<table border="1"> <thead> <tr> <th>REVISION N°</th> <th>DATE</th> <th>DESCRIPTION</th> </tr> </thead> <tbody> <tr> <td>1</td> <td>2021.11.09</td> <td>SUBMISSION 1</td> </tr> <tr> <td>2</td> <td>2021.12.20</td> <td>SUBMISSION 2</td> </tr> <tr> <td>3</td> <td>2022.02.08</td> <td>SUBMISSION 3</td> </tr> </tbody> </table>	REVISION N°	DATE	DESCRIPTION	1	2021.11.09	SUBMISSION 1	2	2021.12.20	SUBMISSION 2	3	2022.02.08	SUBMISSION 3	LOCATION: JOB #: REVISED BY: D.C. DRAWN BY: D.P.	CONTENT: ELEVATION B	DATE: 8/02/2022 SCALE: 3/4" = 1'-0" SHEET NUMBER: FE-201
REVISION N°	DATE	DESCRIPTION															
1	2021.11.09	SUBMISSION 1															
2	2021.12.20	SUBMISSION 2															
3	2022.02.08	SUBMISSION 3															

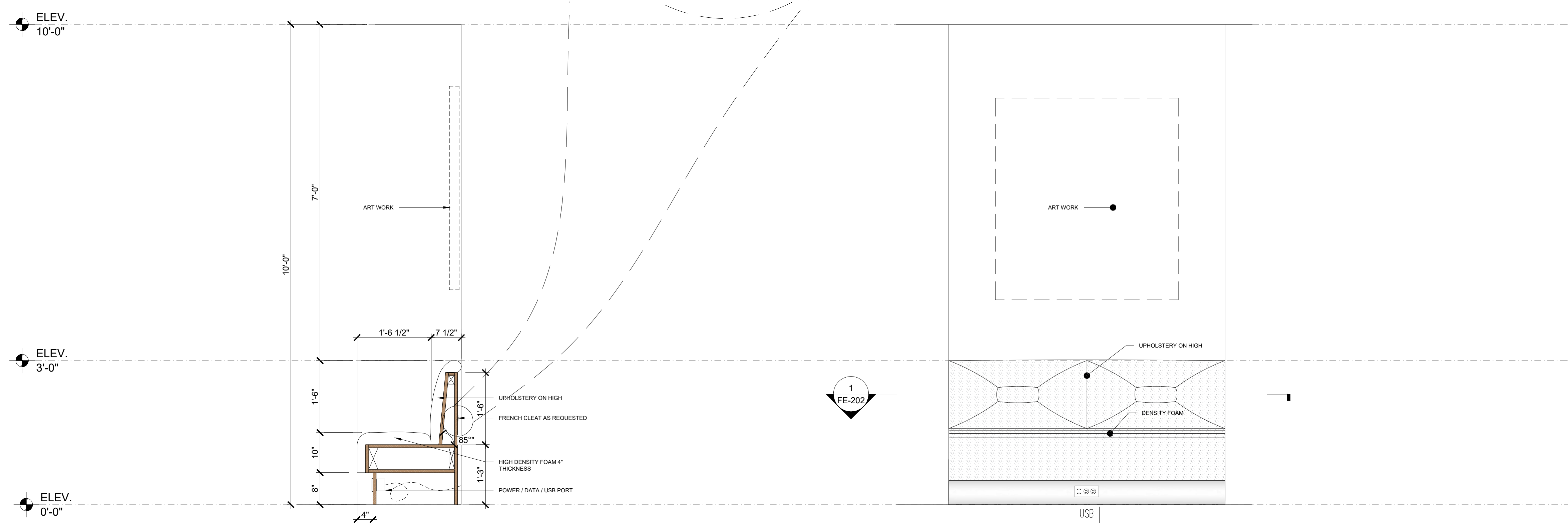


C
FE-202

1 CYMBAL MULTIFAMILY PLAN
FROM: DD / ID-108 SCALE: 3/4" = 1'-0"



2
FE-202

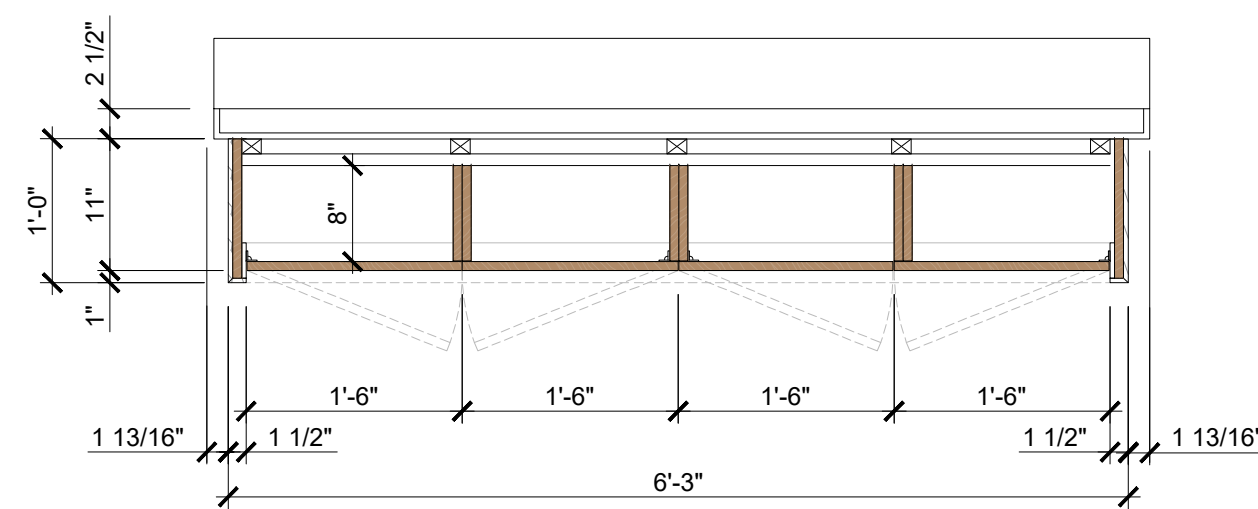


2 CYMBAL MULTIFAMILY SECTION
FROM: F1 / ID-108 SCALE: 3/4" = 1'-0"

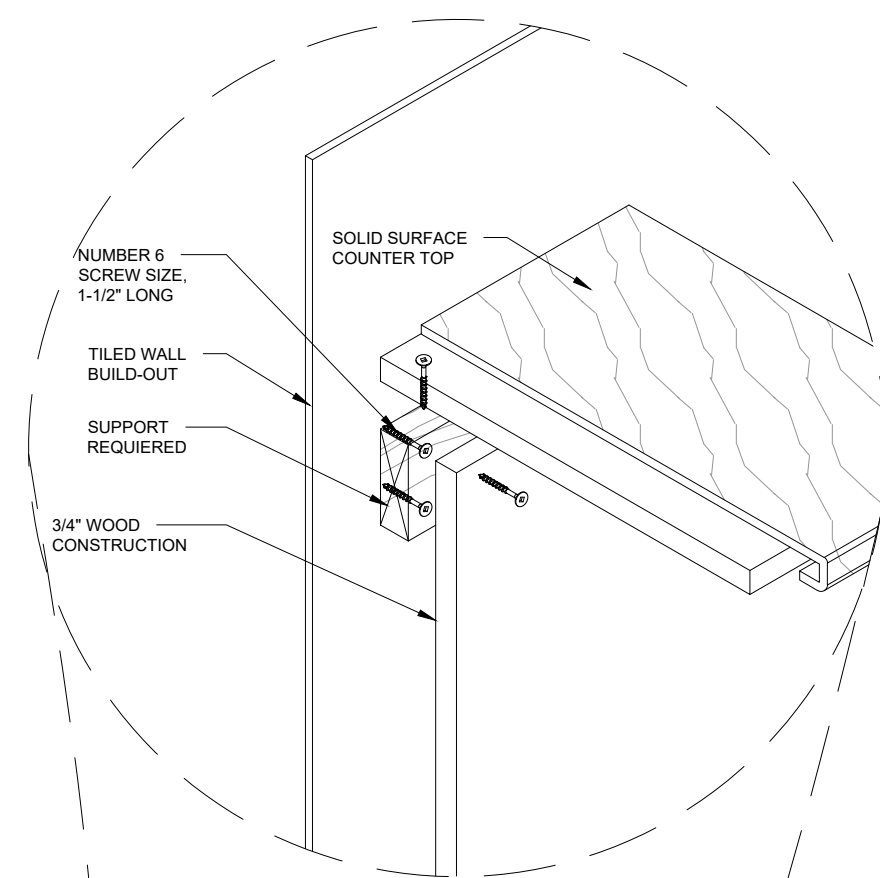
C CYMBAL MULTIFAMILY ELEVATION 4A CO-WORKING AREA
FROM: 4A / ID-108 SCALE: 3/4" = 1'-0"

- PT-01 - SHERMAN WILLIAMS SW 6203 SPARE WHITE
- FB-01 - UPHOLSTERY FABRIC

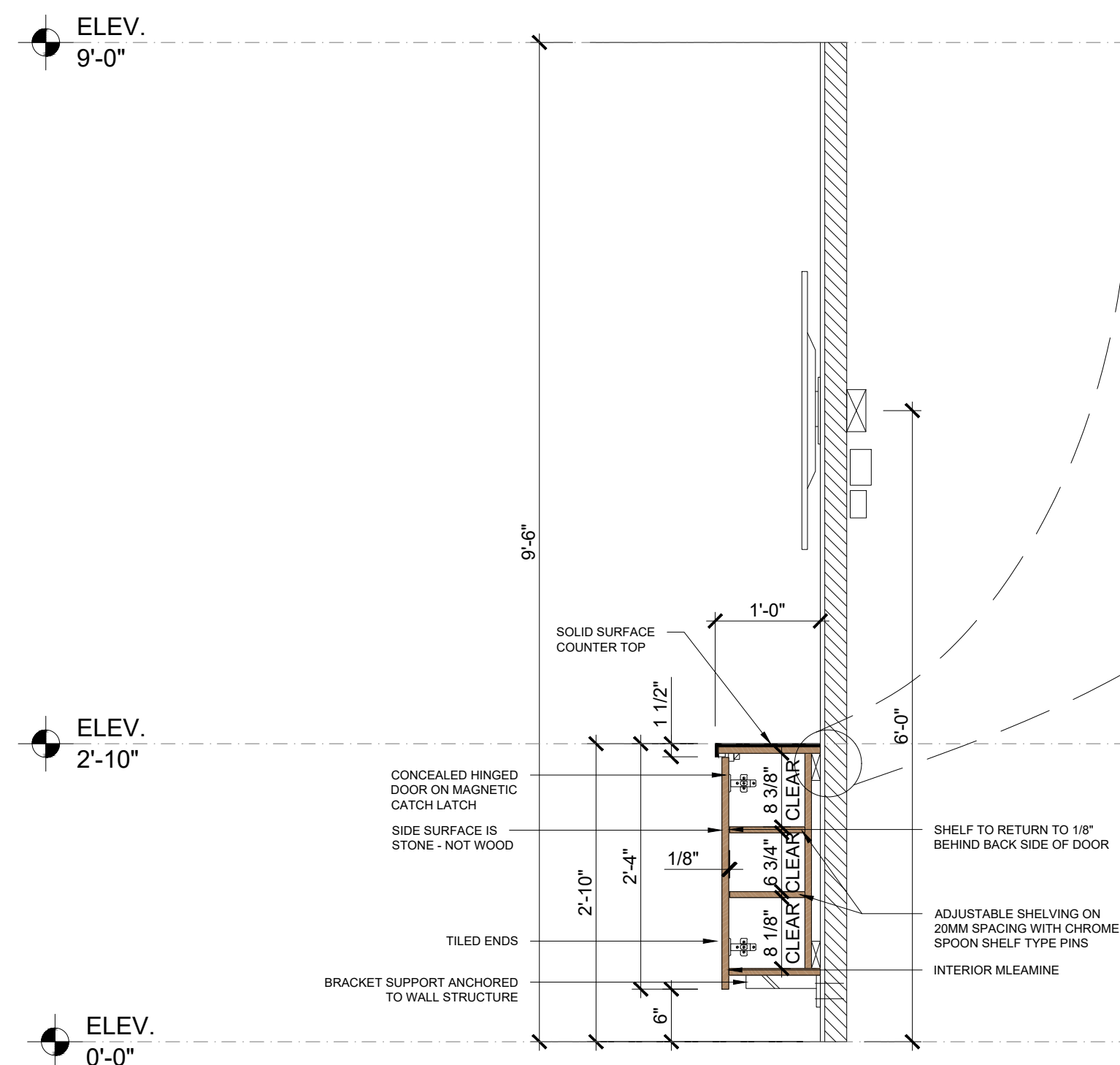
PROJECT:	SHOP DRAWING:	<table border="1"> <thead> <tr> <th>REVISION N°</th> <th>DATE</th> <th>DESCRIPTION</th> </tr> </thead> <tbody> <tr> <td>1</td> <td>2021.11.09</td> <td>SUBMISSION 1</td> </tr> <tr> <td>2</td> <td>2021.12.20</td> <td>SUBMISSION 2</td> </tr> <tr> <td>3</td> <td>2022.02.08</td> <td>SUBMISSION 3</td> </tr> </tbody> </table>	REVISION N°	DATE	DESCRIPTION	1	2021.11.09	SUBMISSION 1	2	2021.12.20	SUBMISSION 2	3	2022.02.08	SUBMISSION 3	LOCATION: JOB #: REVISOR BY: D.C. DRAWN BY: D.P.	CONTENT: ELEVATION C	DATE: 8/02/2022 SCALE: 3/4" = 1'-0" SHEET NUMBER: FE-202
REVISION N°	DATE	DESCRIPTION															
1	2021.11.09	SUBMISSION 1															
2	2021.12.20	SUBMISSION 2															
3	2022.02.08	SUBMISSION 3															



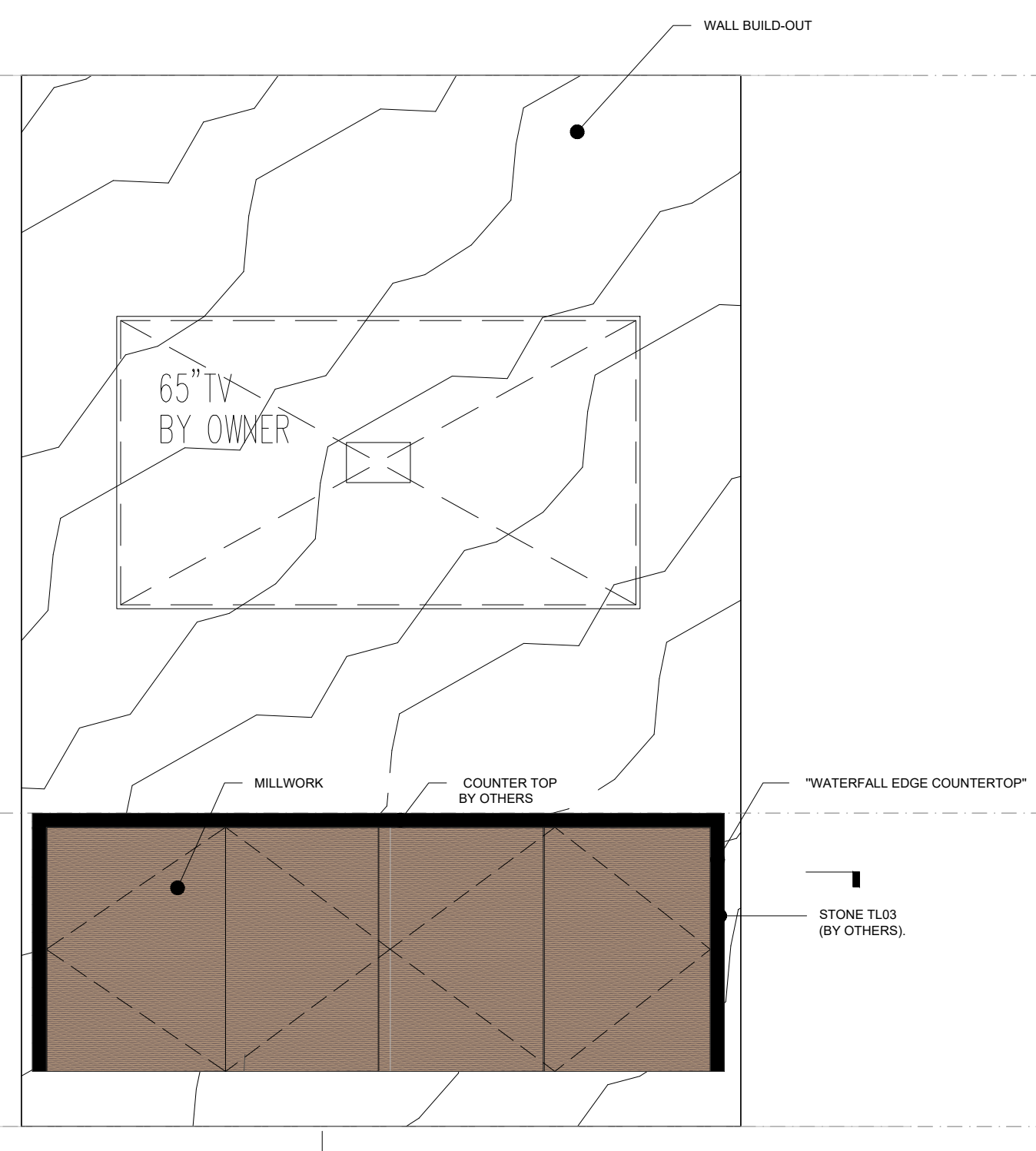
1 CYMBAL MULTIFAMILY PLAN
FROM: CC / ID-108 SCALE: 3/4" = 1'-0"



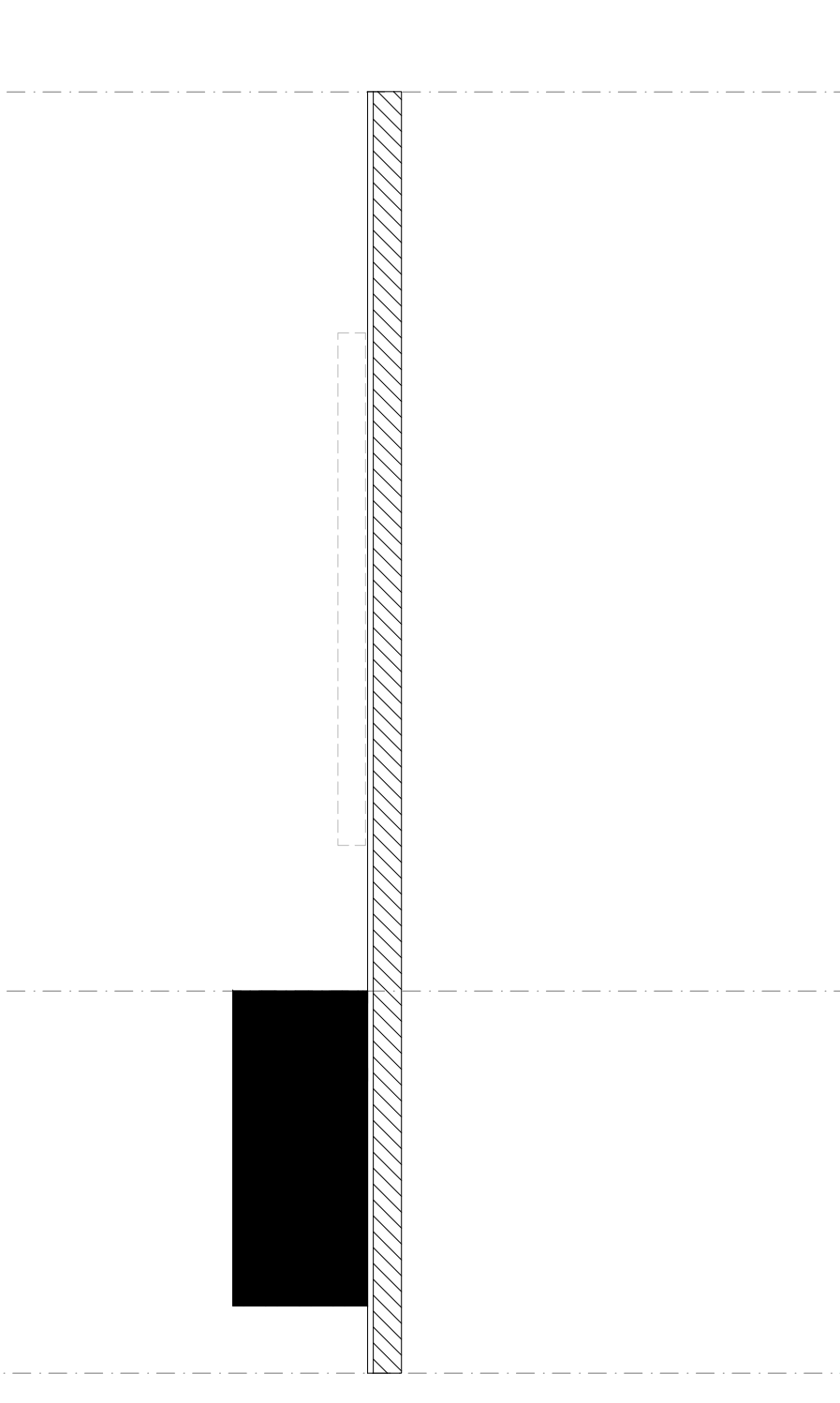
2 FE-204



2 CYMBAL MULTIFAMILY SECTION
FROM: E / ID-108 SCALE: 3/4" = 1'-0"



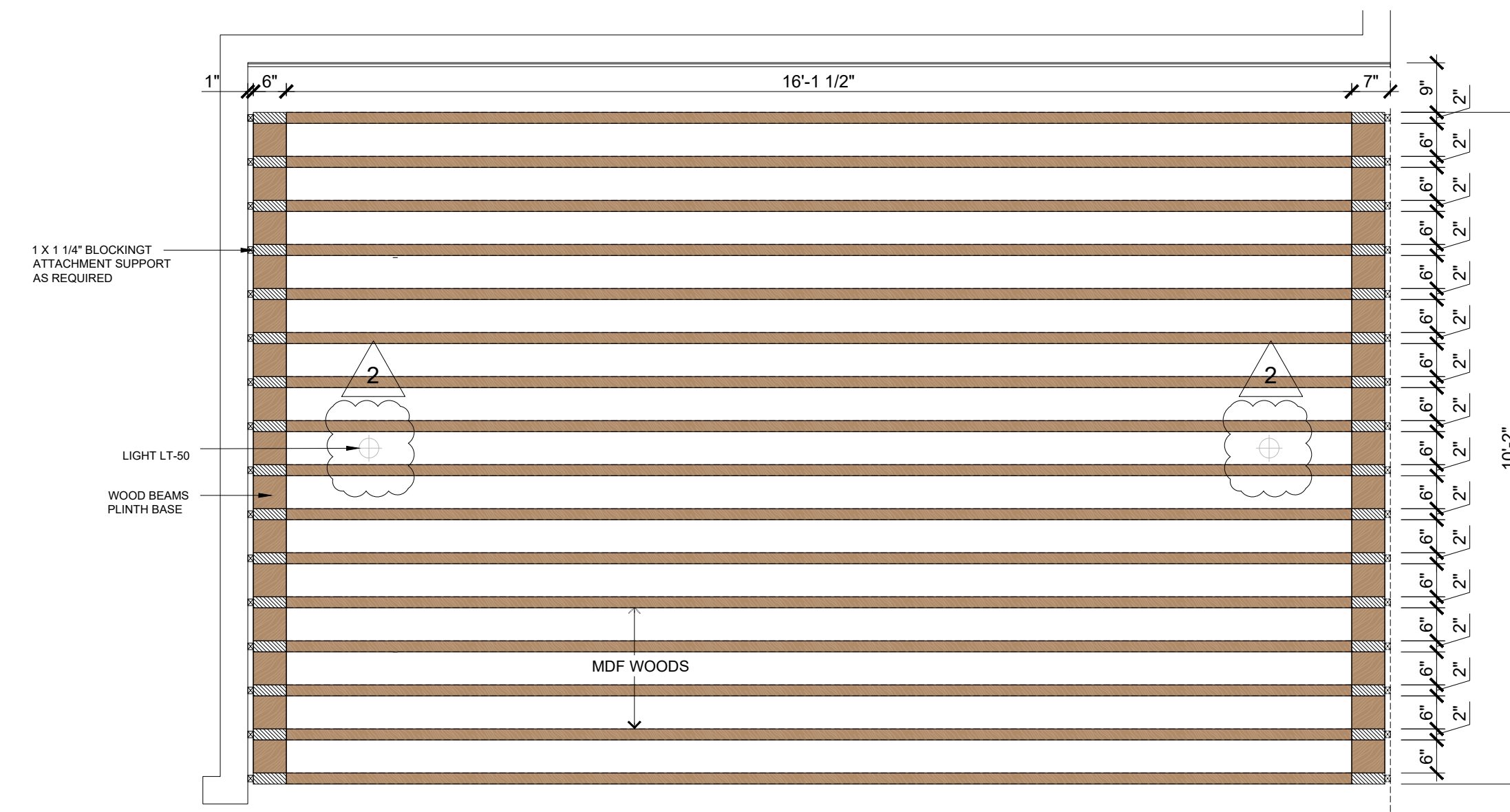
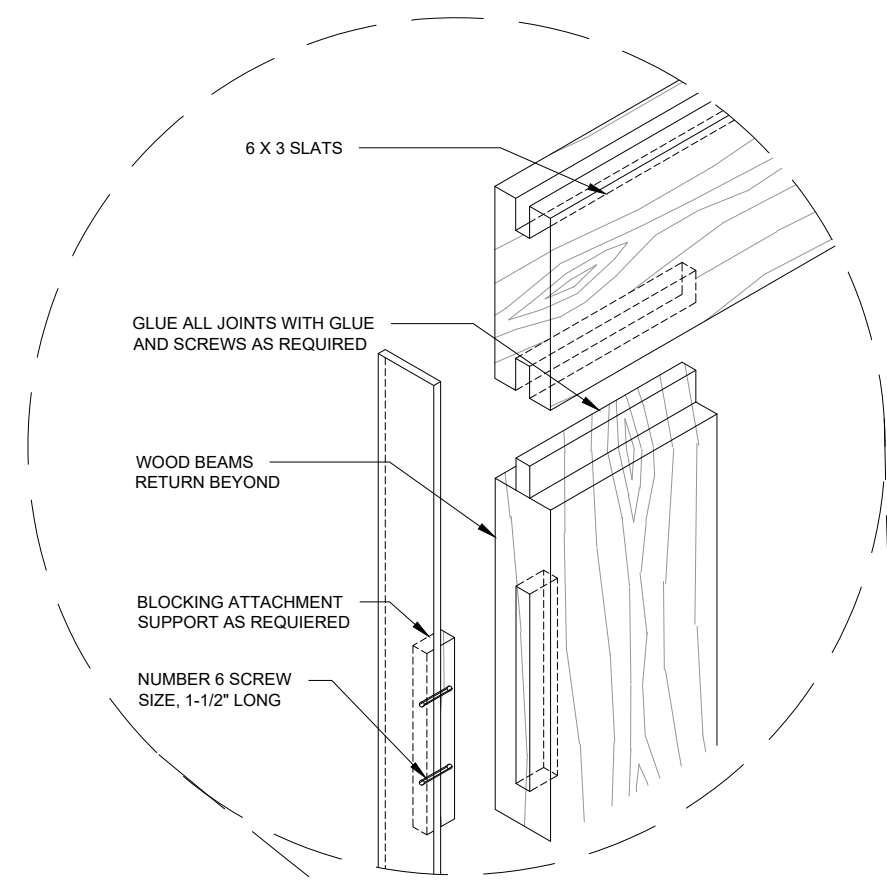
D CYMBAL MULTIFAMILY ELEVATION CO-WORKING AREA
FROM: 3 / ID-108 SCALE: 3/4" = 1'-0"



D1 SIDE ELEVATION
FROM: 3 / ID-108 SCALE: 3/4" = 1'-0"

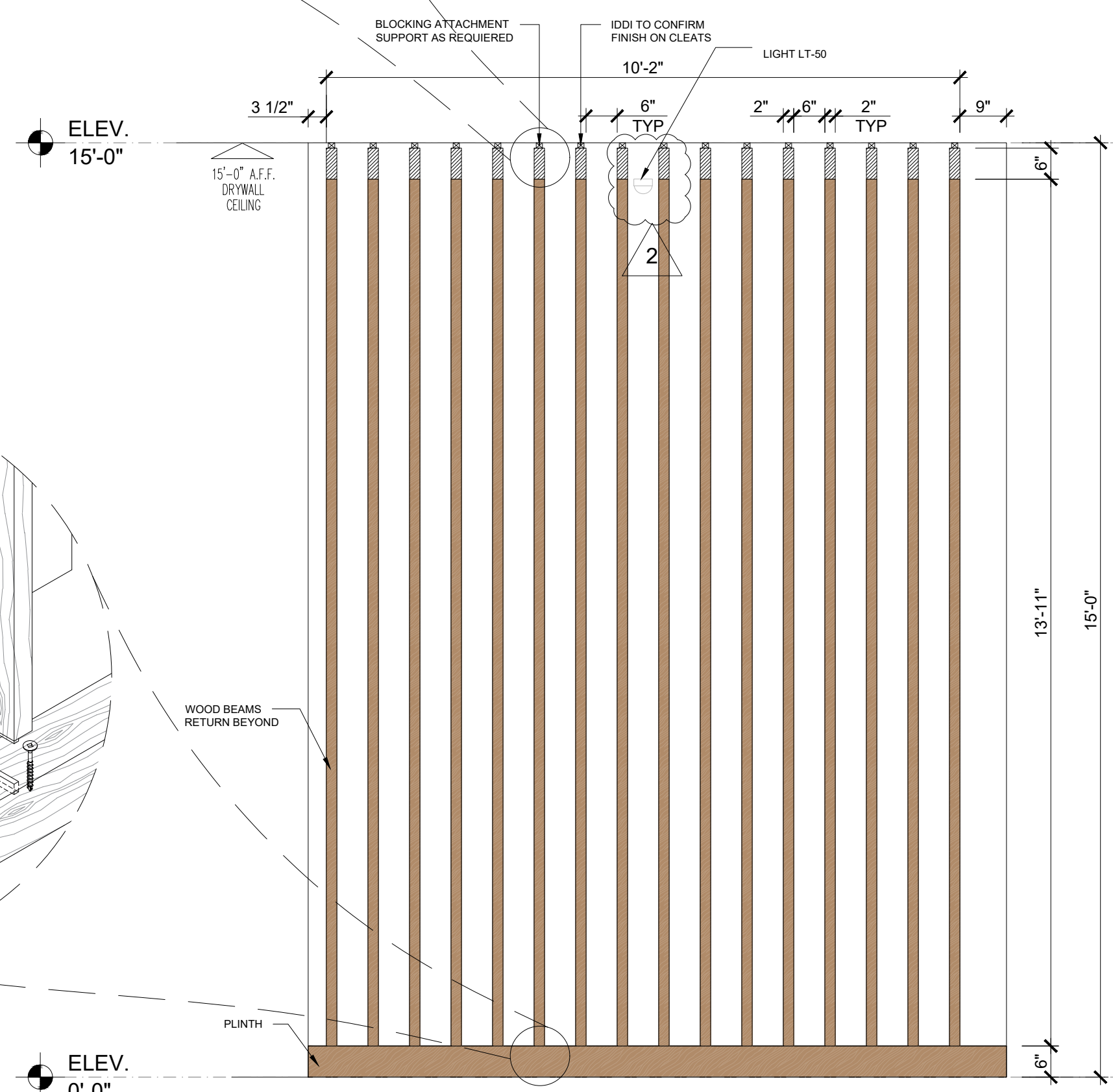
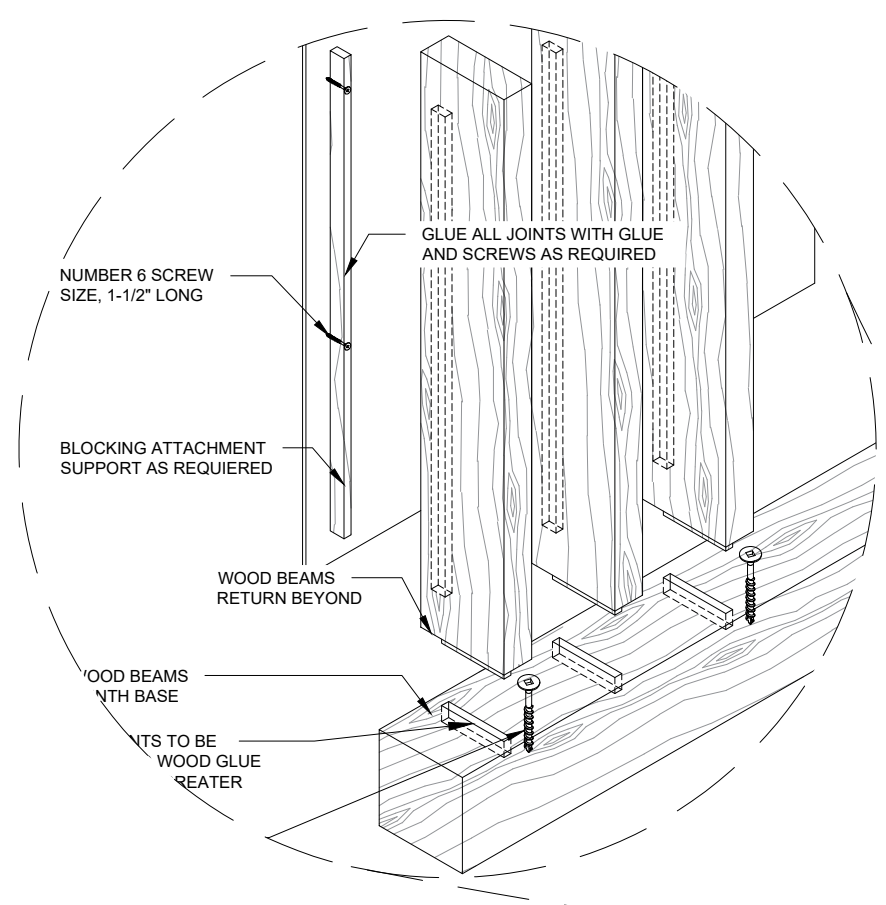
- PL-01 - PLASTIC LAMINATE
- TL-03 - PORCELAIN SLAB MARBLE-LOOK

PROJECT:	SHOP DRAWING:	REVISION N°	DATE	DESCRIPTION	LOCATION:	CONTENT:	DATE:	
		1	2021.11.09	SUBMISSION 1	JOB #:	ELEVATION D	8/02/2022	
		2	2021.12.20	SUBMISSION 2	REVISED BY:		SCALE:	3/4" = 1'-0"
		3	2022.02.08	SUBMISSION 3	DRAWN BY:		SHEET NUMBER:	FE-203
					D.C.			
					D.P.			

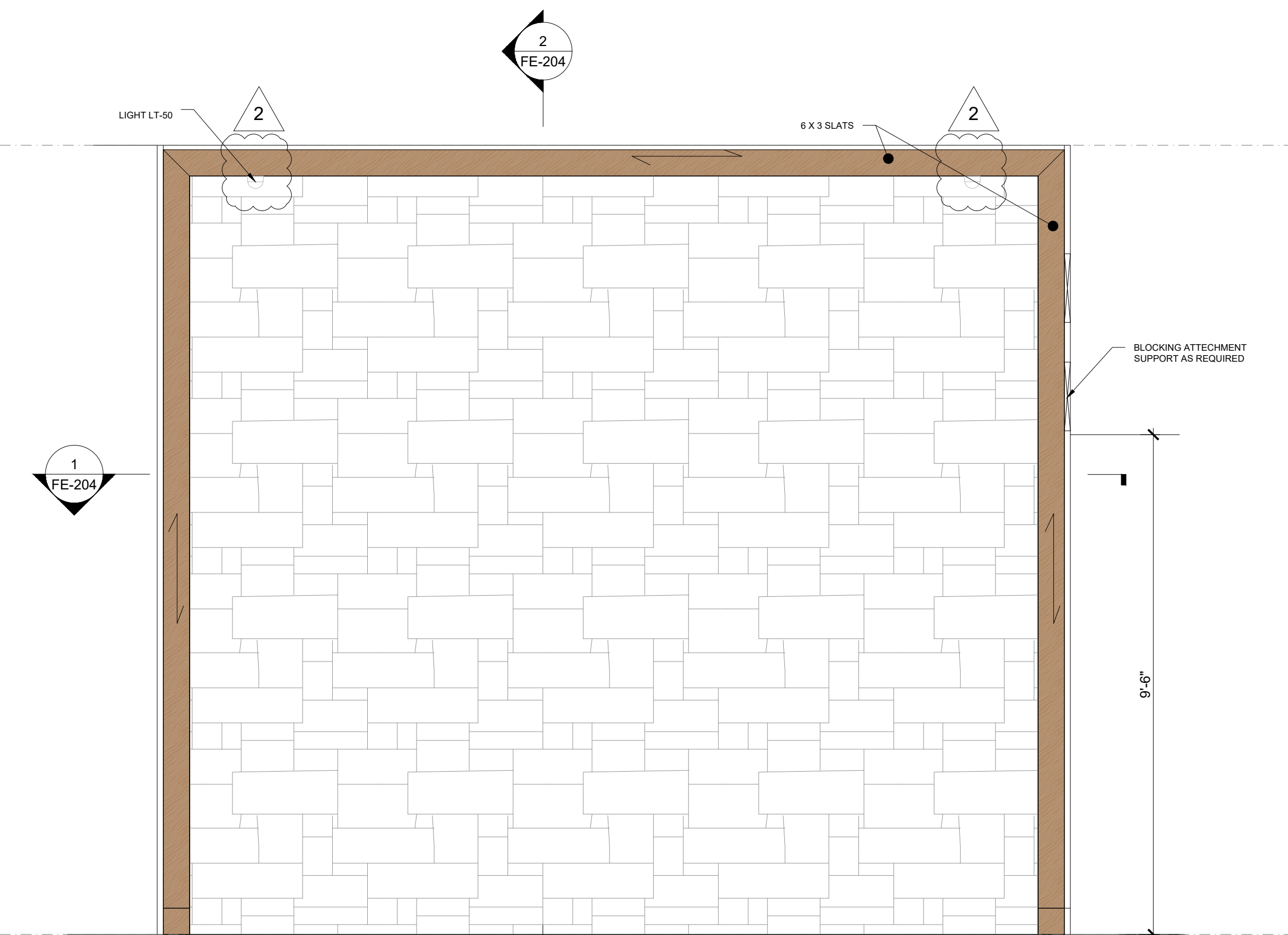


E
FE-204

1 CYMBAL MULTIFAMILY PLAN
FROM: EE / ID-109 SCALE: 1/2" = 1'-0"



2 CYMBAL MULTIFAMILY SECTION
FROM: G / ID-109 SCALE: 1/2" = 1'-0"



E CYMBAL MULTIFAMILY ELEVATION LEASING LOUNGE
FROM: 5 / ID-109 SCALE: 1/2" = 1'-0"

WD-01 - V.E. V&V VENEER
ST-01 - WHITE STONE/PLASTER LOOK

PROJECT:

SHOP DRAWING:

REVISION N°	DATE	DESCRIPTION
1	2021.11.09	SUBMISSION 1
2	2021.12.20	SUBMISSION 2
3	2022.02.08	SUBMISSION 3

LOCATION:

JOB #:

REVISED BY: D.C.

DRAWN BY: D.P.

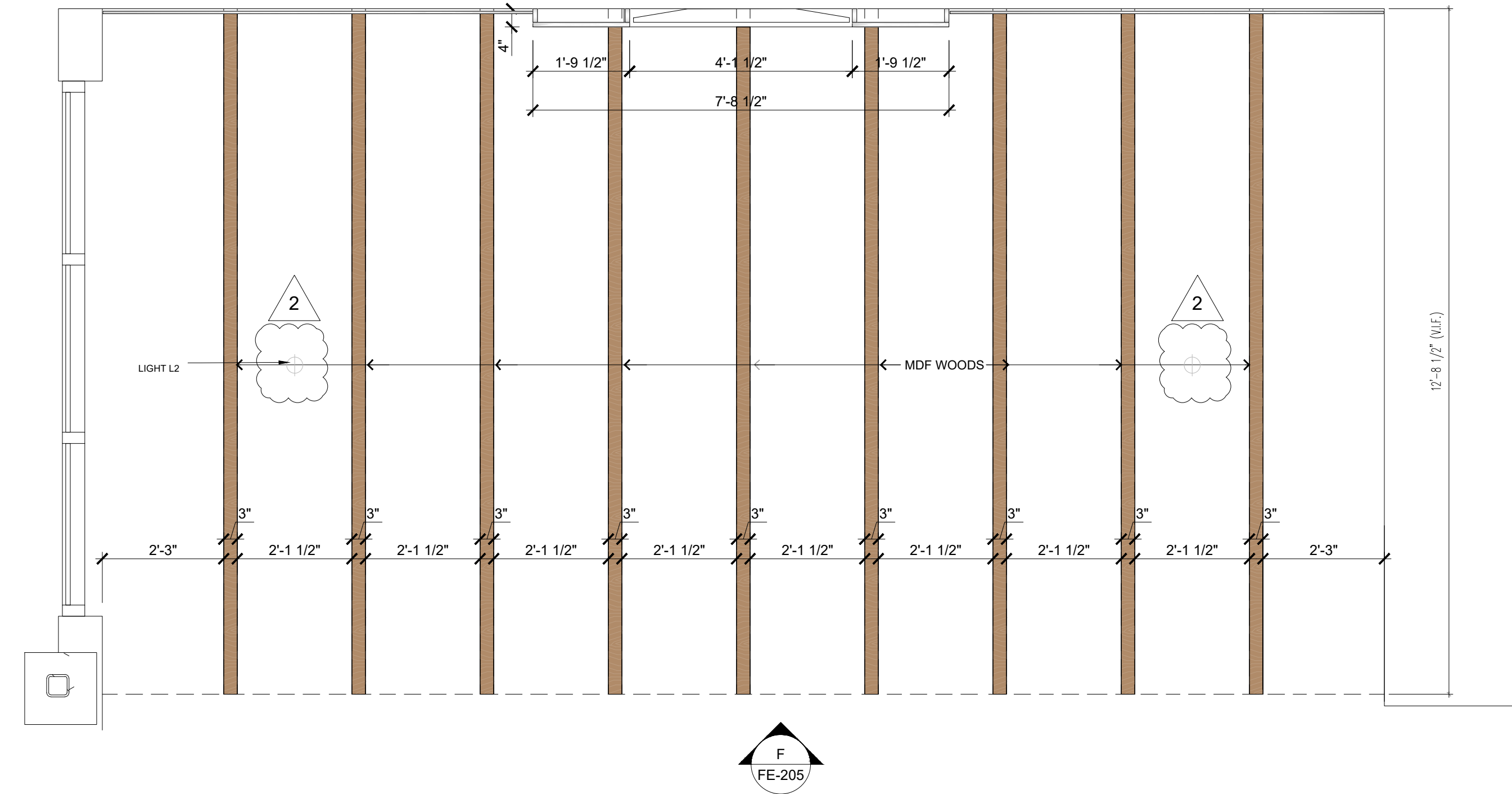
CONTENT:

ELEVATION E

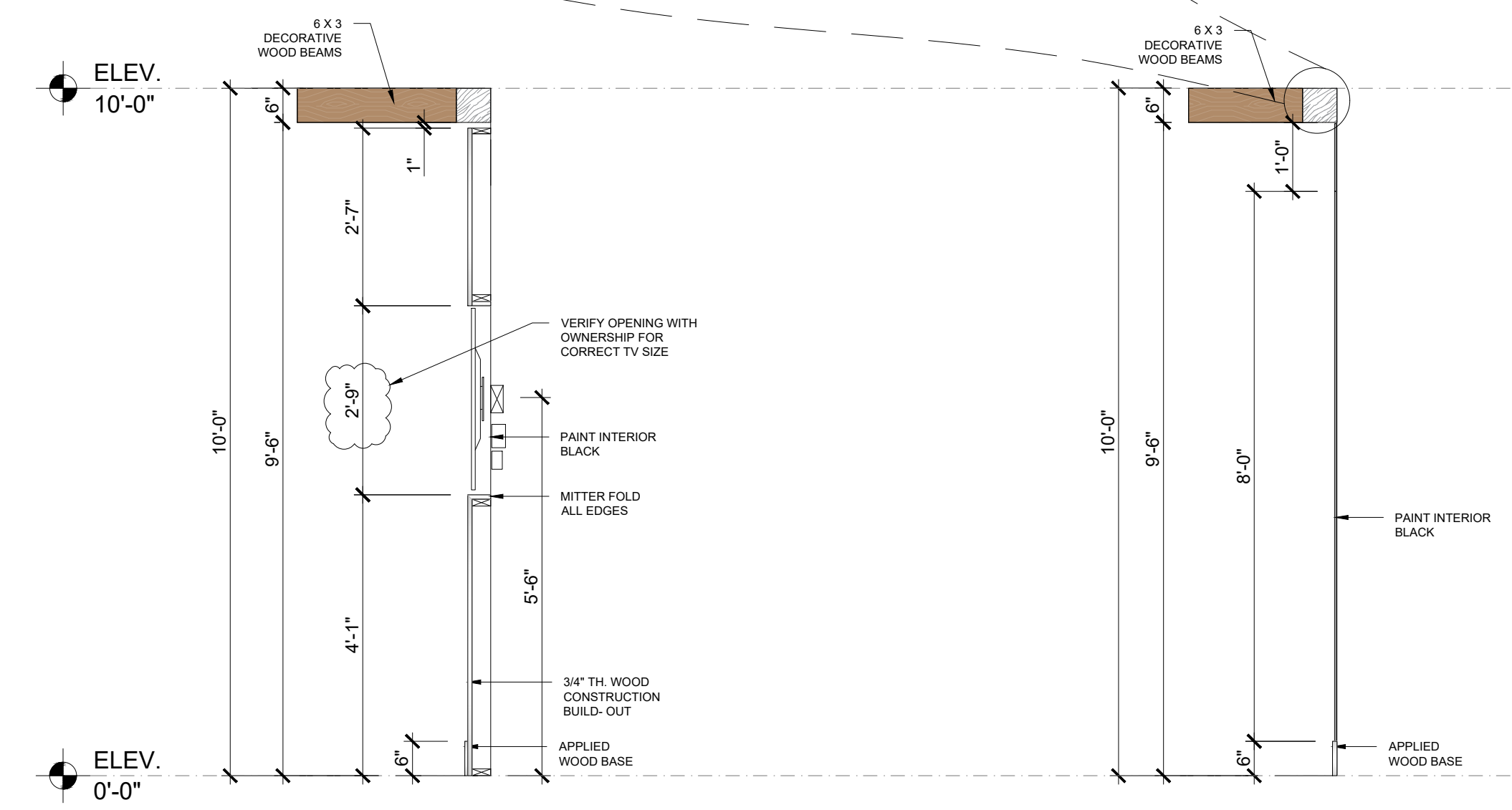
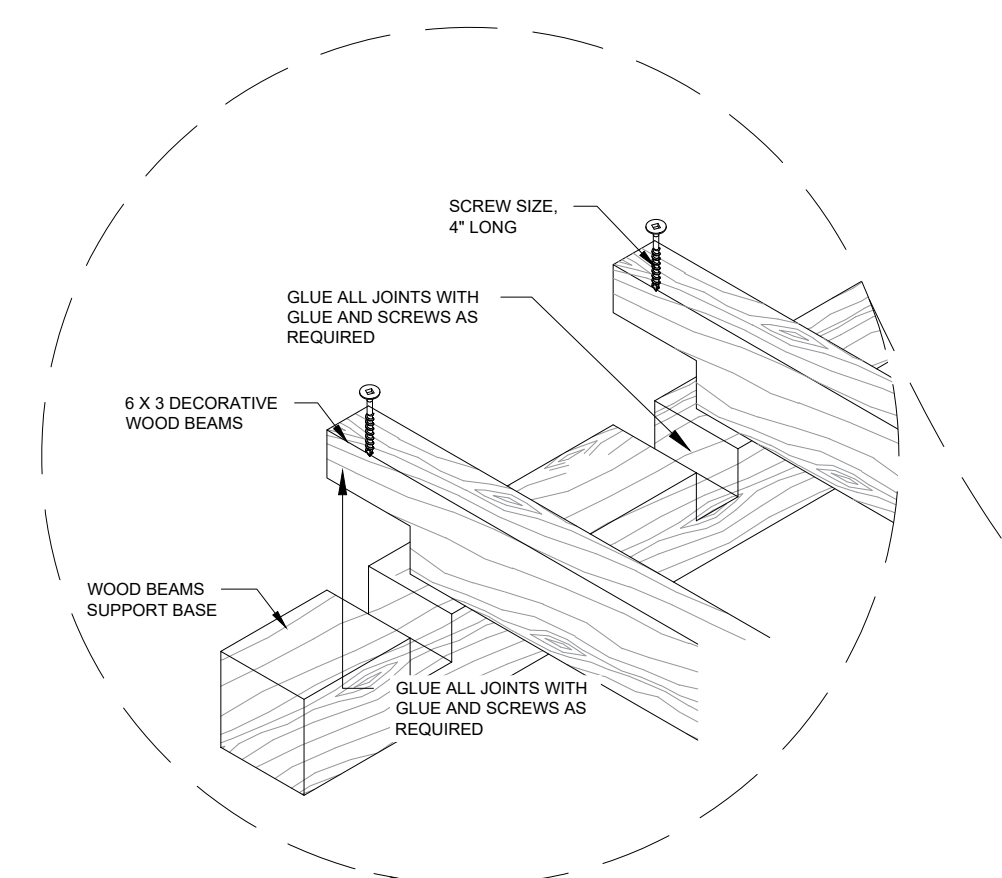
DATE: 8/02/2022

SCALE: 1/2" = 1'-0"

SHEET NUMBER: FE-204

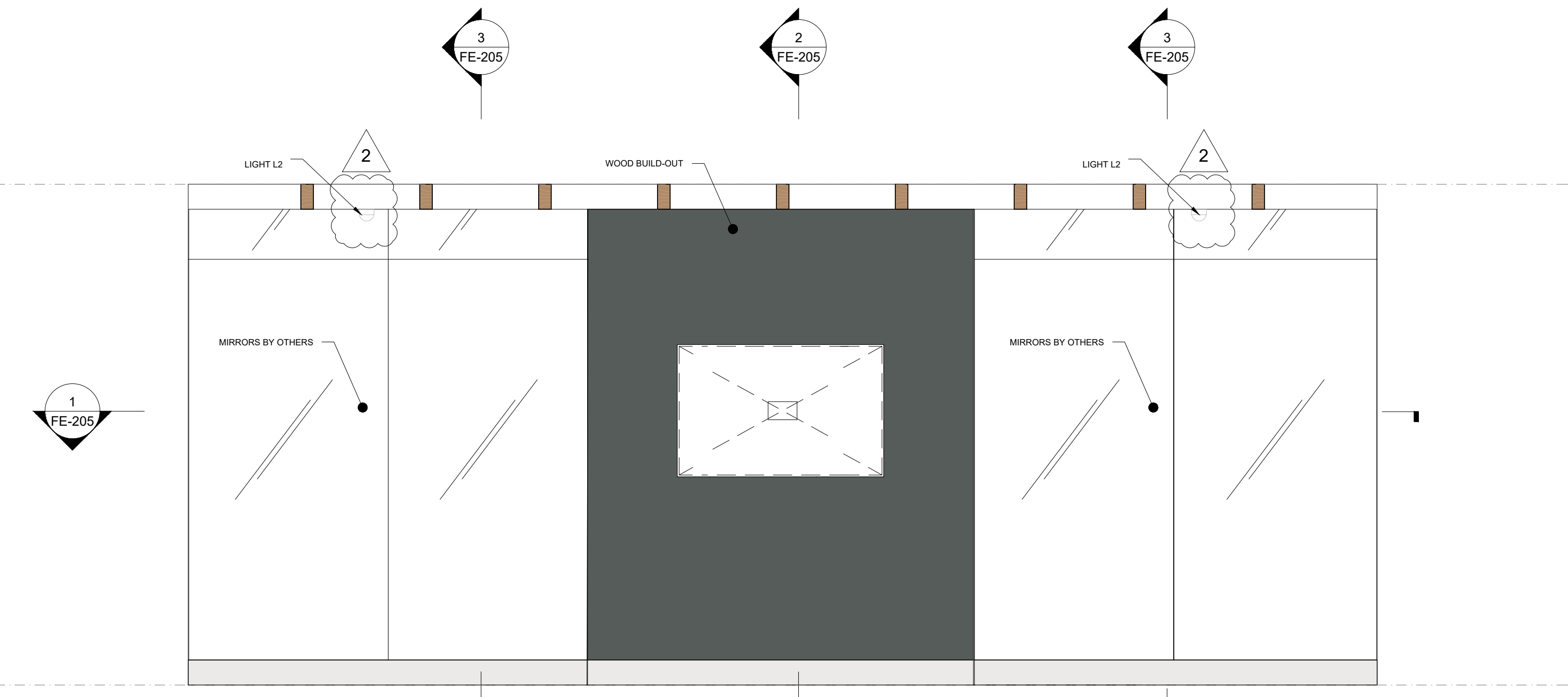


1 CYMBAL MULTIFAMILY PLAN
FROM: HH / ID-111 SCALE: 1/2" = 1'-0"



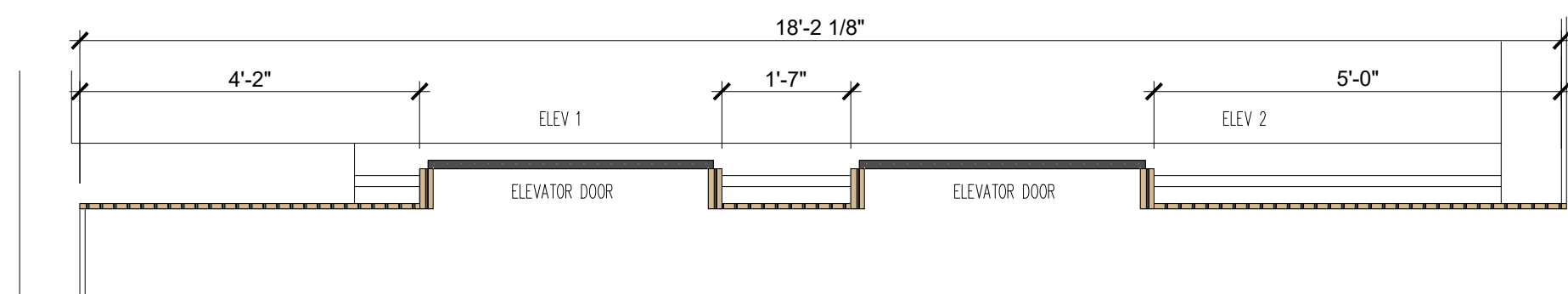
2 CYMBAL MULTIFAMILY SECTION
FROM: L / ID-111 SCALE: 1/2" = 1'-0"

3 CYMBAL MULTIFAMILY SECTION
FROM: M / ID-111 SCALE: 1/2" = 1'-0"



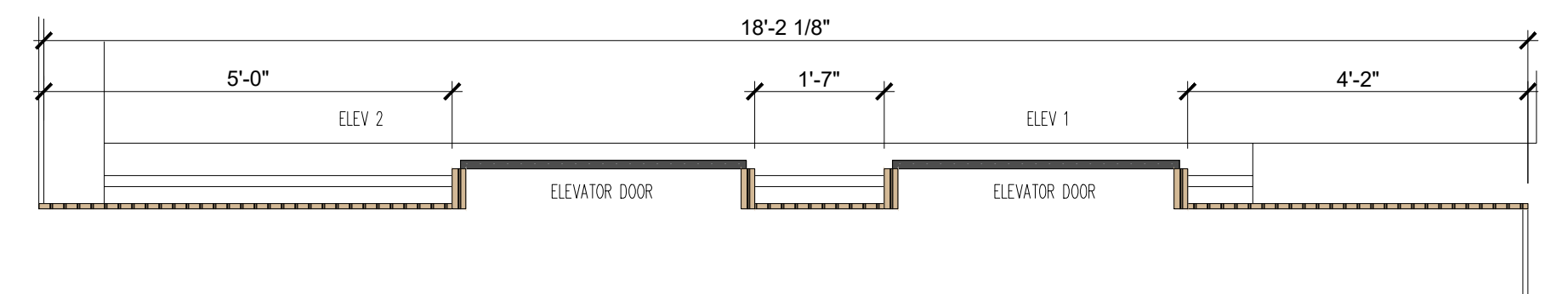
F CYMBAL MULTIFAMILY ELEVATION YOGA
FROM: 8 / ID-111 SCALE: 1/2" = 1'-0"
PT-01 - SHERMAN WILLIAMS SW 6203 SPARE WHITE
WD-01 - V-E- V&V VENEER
PT-03 - SHERMAN WILLIAMS SW 6257 GIBRALTAR

PROJECT:	SHOP DRAWING:	REVISION N°	DATE	DESCRIPTION	LOCATION:	CONTENT:	DATE:
		1	2021.11.09	SUBMISSION 1	JOB #:	ELEVATION F	8/02/2022
		2	2021.12.20	SUBMISSION 2	REVISED BY:		SCALE:
		3	2022.02.08	SUBMISSION 3	DRAWN BY:		1/2" = 1'-0"
							SHEET NUMBER:
							FE-205



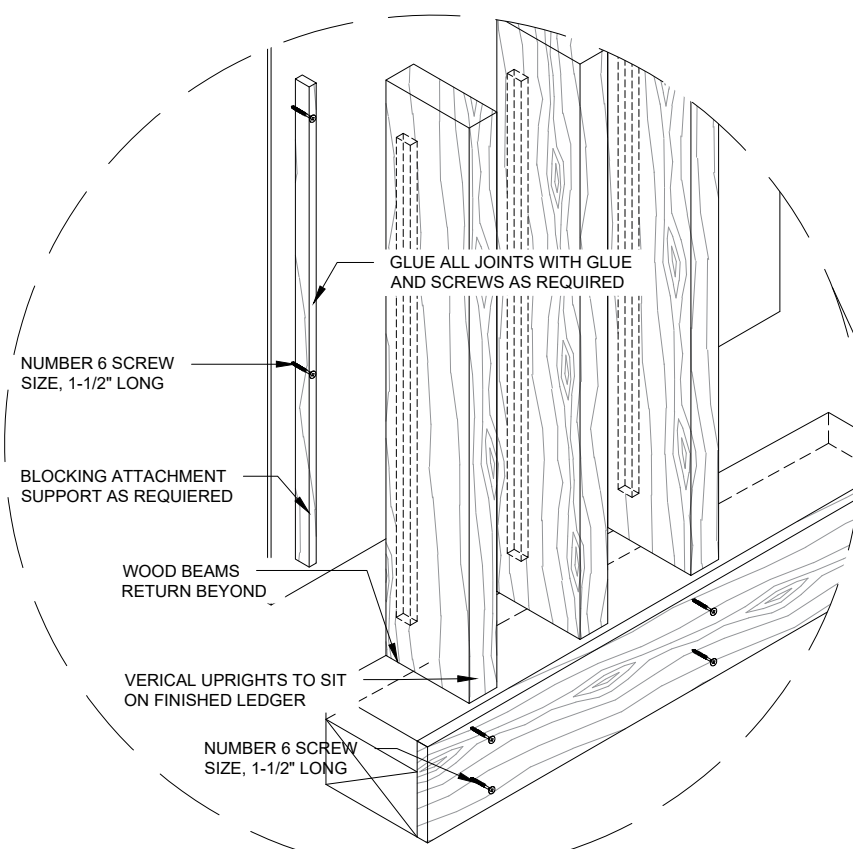
G
FE-206

1 CYMBAL MULTIFAMILY PLAN
FROM: JJ / ID-112 SCALE: 1/2" = 1'-0"



H
FE-206

2 CYMBAL MULTIFAMILY PLAN
FROM: KK / ID-112 SCALE: 1/2" = 1'-0"



3
FE-206

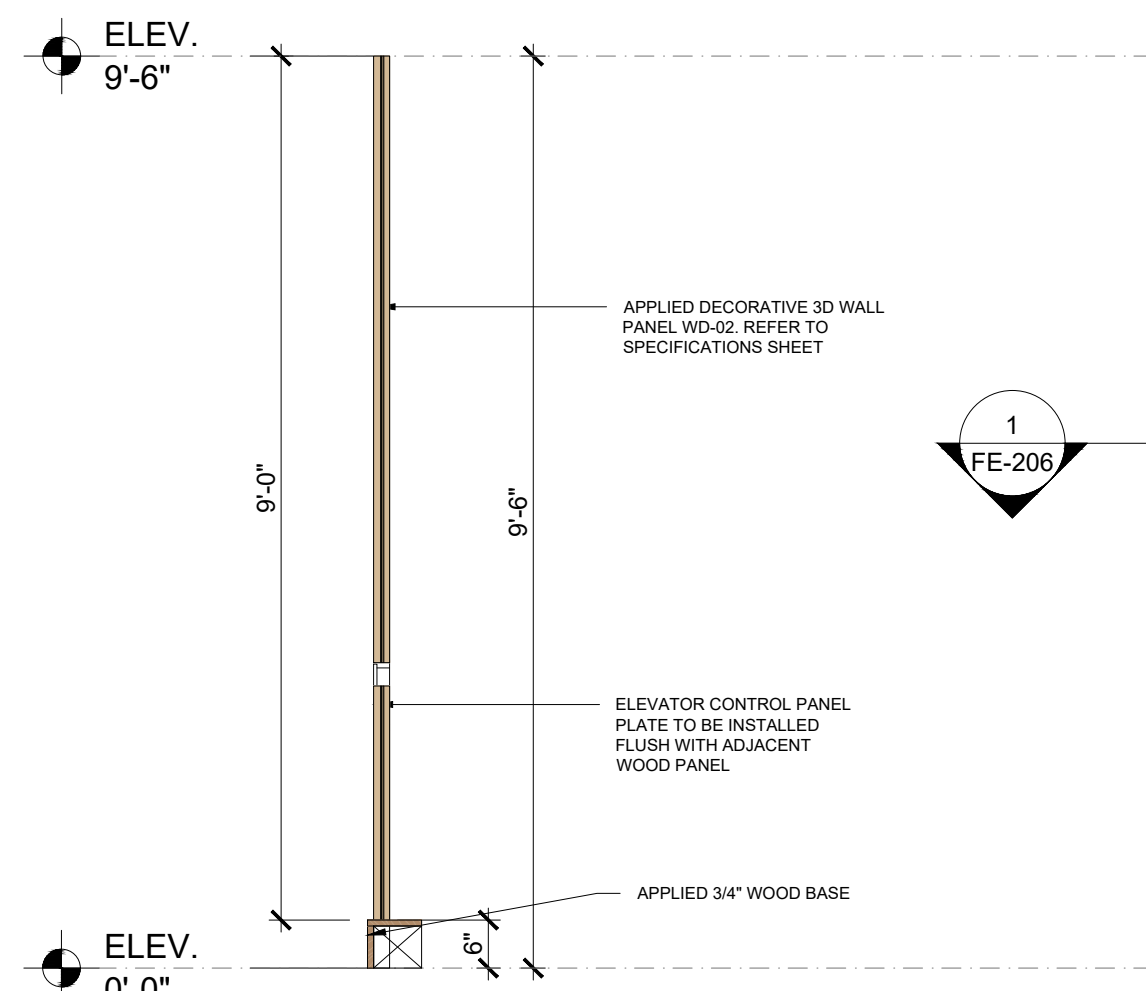
3
FE-206

3
FE-206

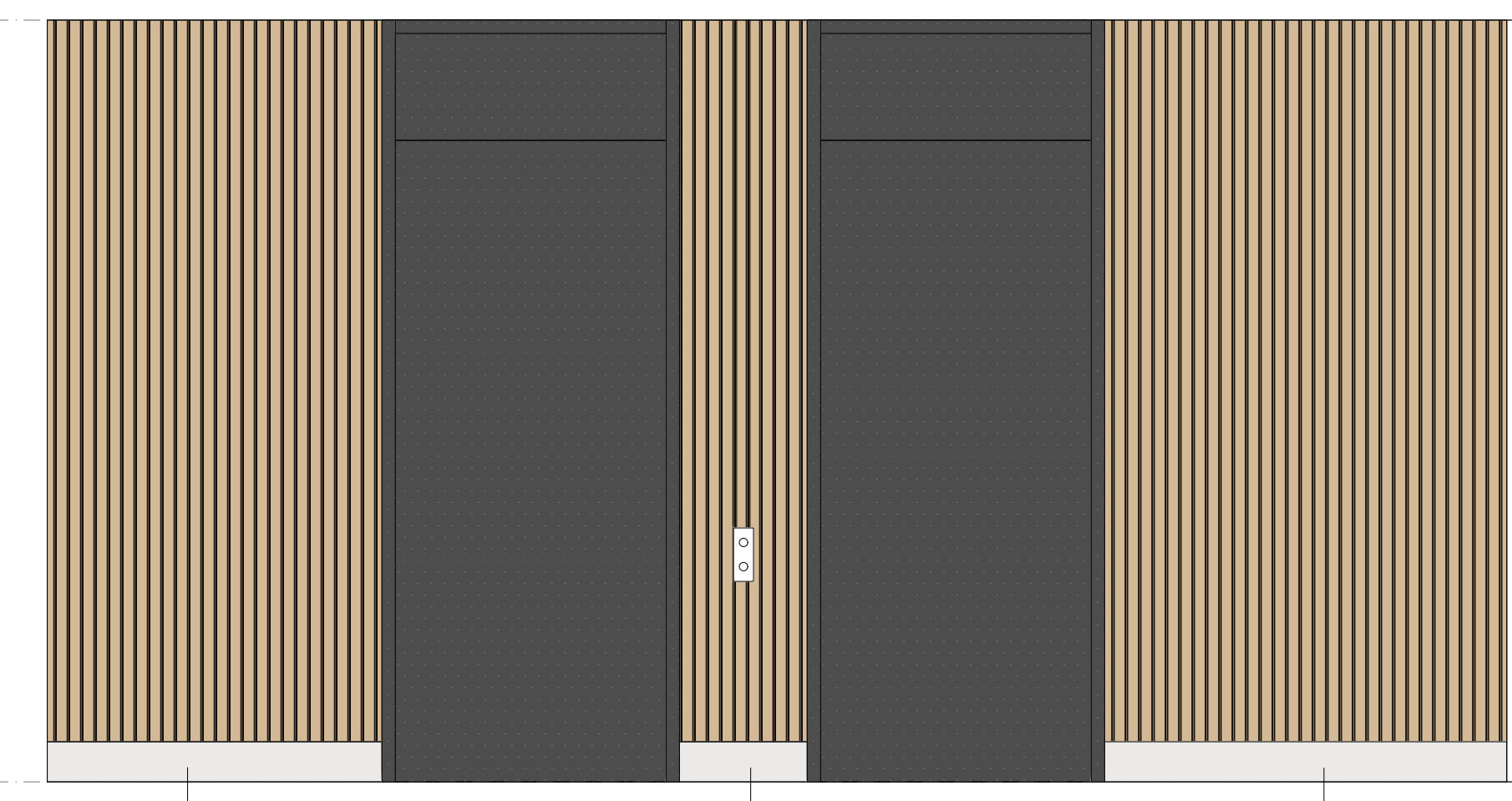
3
FE-206

3
FE-206

3
FE-206

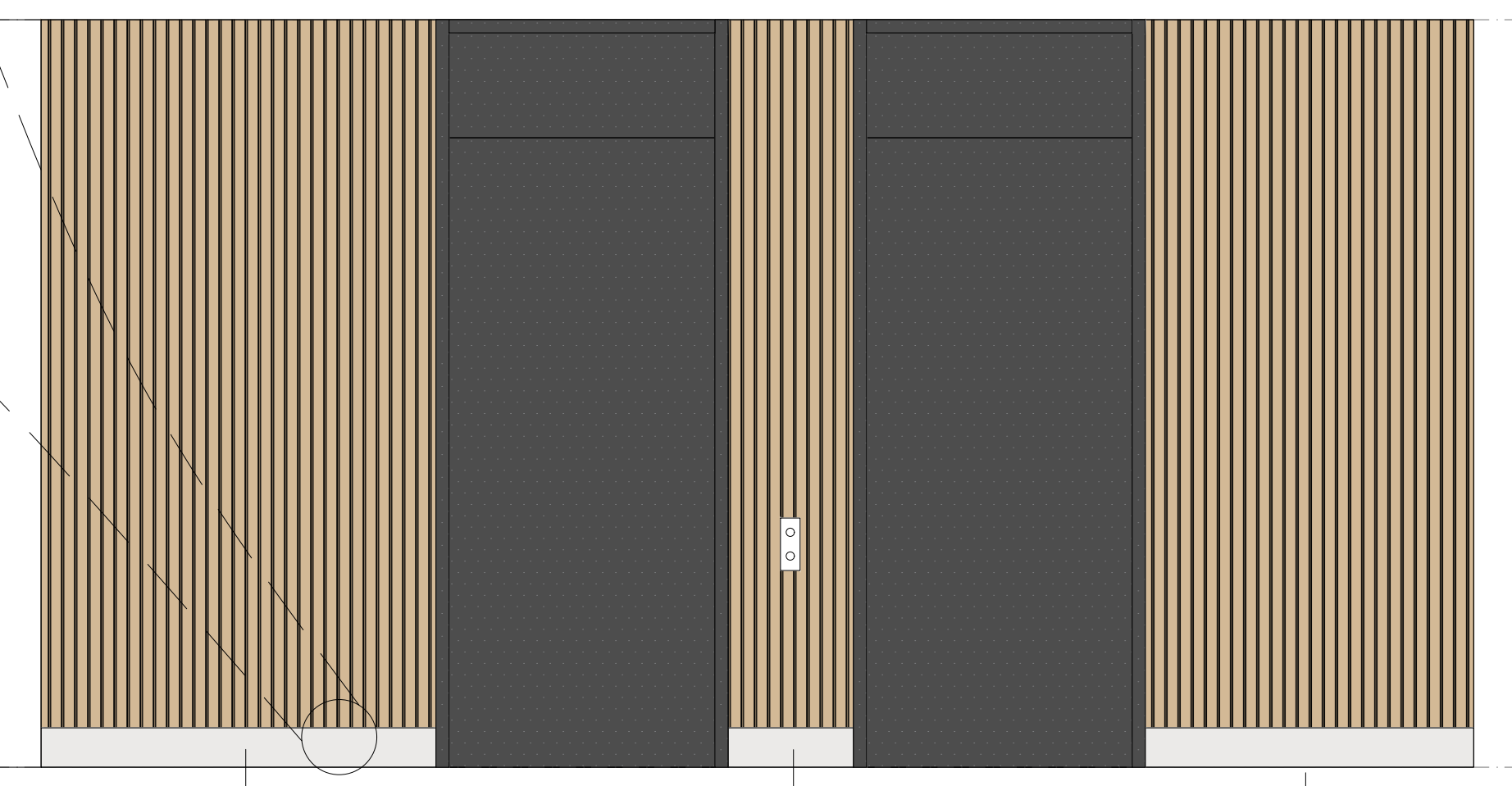


3 CYMBAL MULTIFAMILY SECTION
FROM: M / ID-111 SCALE: 1/2" = 1'-0"



G CYMBAL MULTIFAMILY ELEVATION ELEVATOR LOBBIES
FROM: 9 / ID-112 SCALE: 1/2" = 1'-0"

MT-03 - METAL ELEVATOR DOORS BLACK
WD-04 - 3D WALL PANEL WOOD, INTERLAM FL1
PT-01 SHERMAN WILLIAMS SW 6203 SPARE WHITE



H CYMBAL MULTIFAMILY ELEVATION ELEVATOR LOBBIES
FROM: 12 / ID-112 SCALE: 1/2" = 1'-0"

MT-03 - METAL ELEVATOR DOORS BLACK
WD-04 - 3D WALL PANEL WOOD, INTERLAM FL1
PT-01 SHERMAN WILLIAMS SW 6203 SPARE WHITE

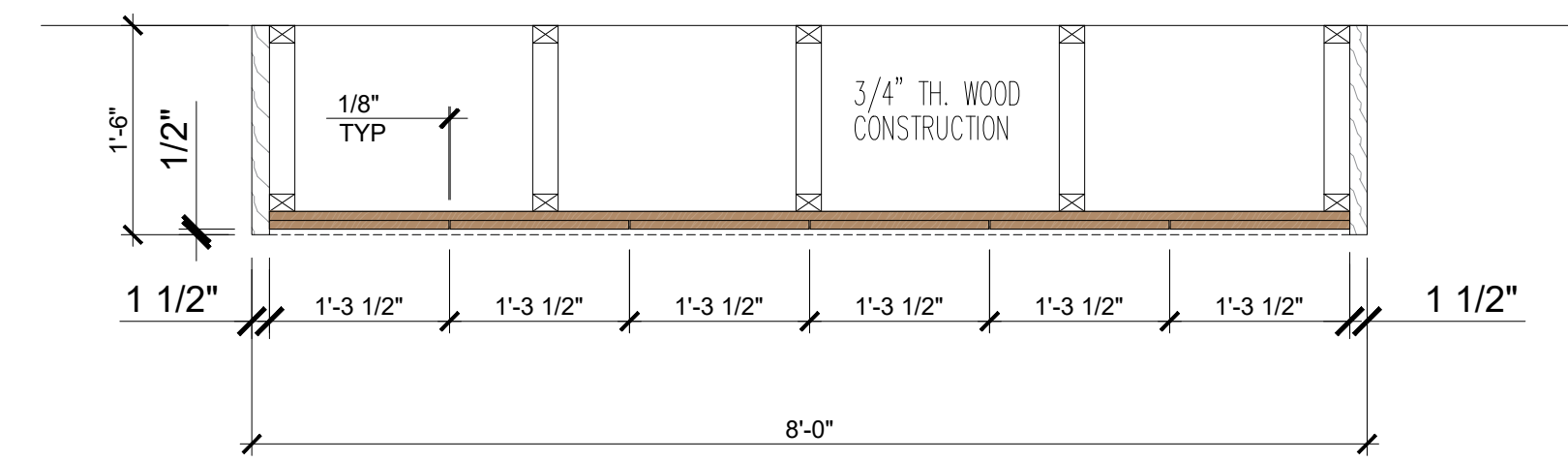
PROJECT:	SHOP DRAWING:
----------	---------------

REVISION N°	DATE	DESCRIPTION
1	2021.11.09	SUBMISSION 1
2	2021.12.20	SUBMISSION 2
3	2022.02.08	SUBMISSION 3

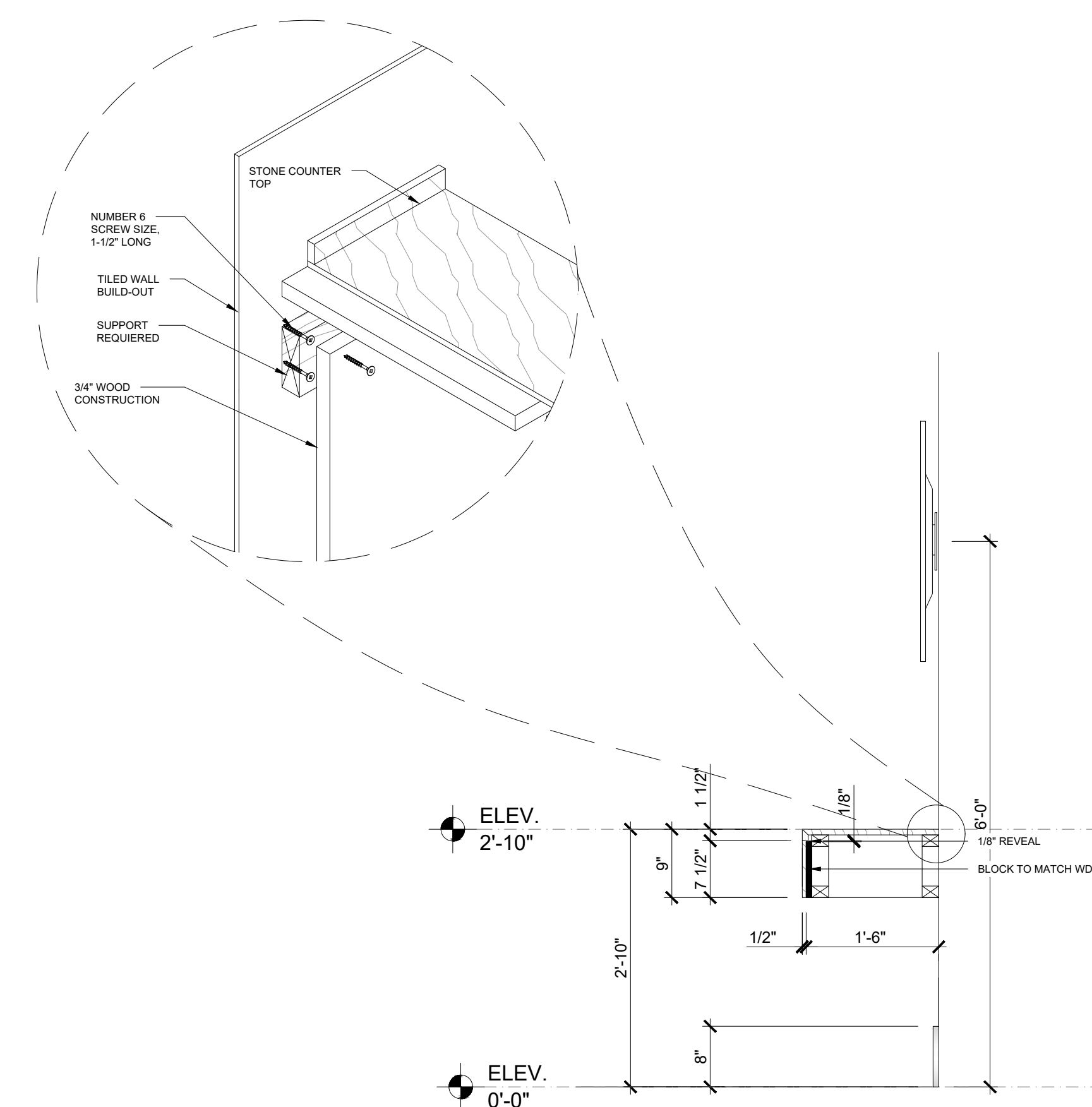
LOCATION:	JOB #:
REVISED BY:	D.C.
DRAWN BY:	D.P.

CONTENT:	ELEVATION G - H
----------	-----------------

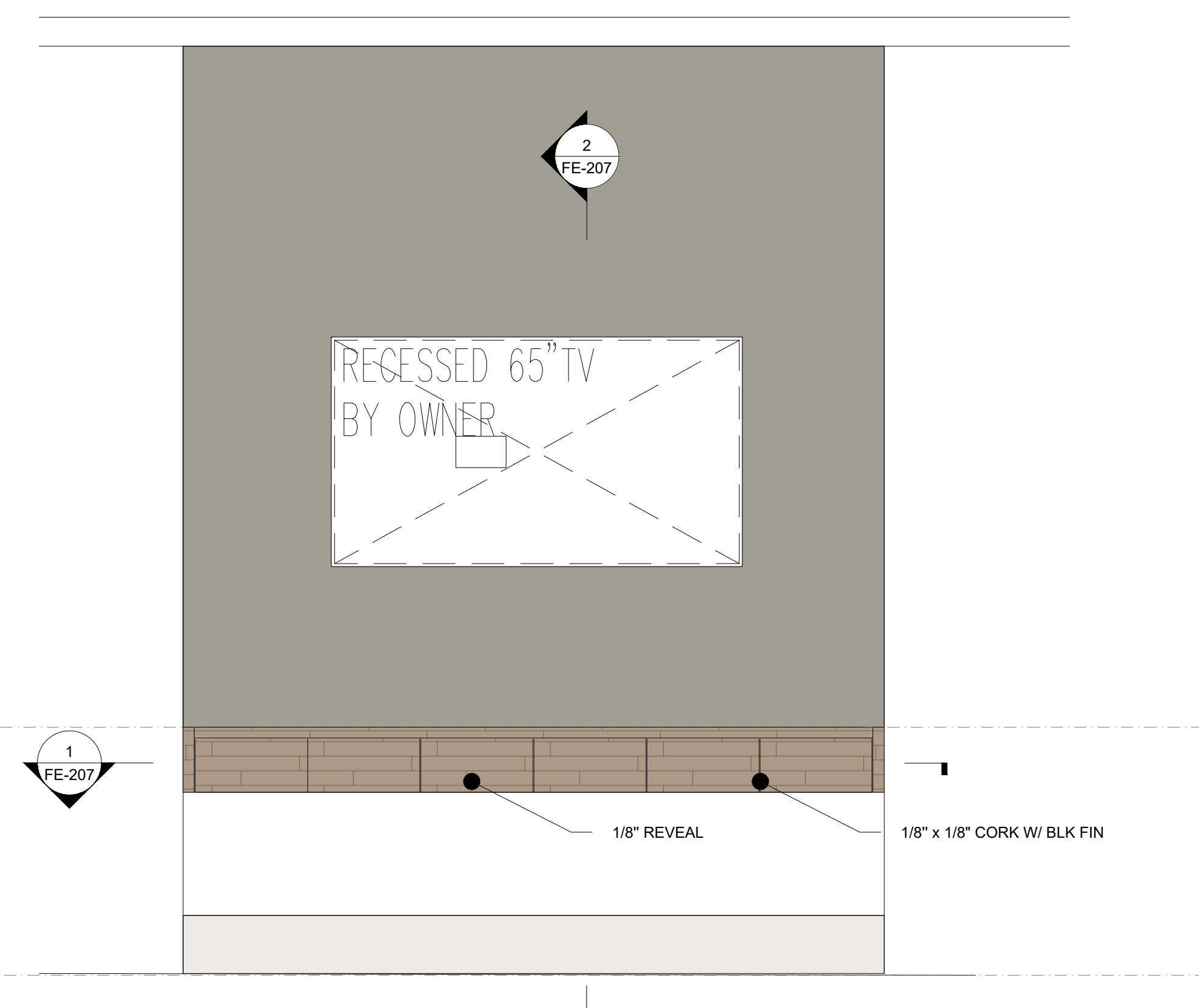
DATE:	8/02/2022
SCALE:	1/2" = 1'-0"
SHEET NUMBER:	FE-206



1 CYMBAL MULTIFAMILY PLAN
FROM: PP / ID-114 SCALE: 3/4" = 1'-0"



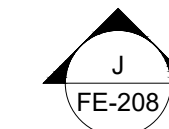
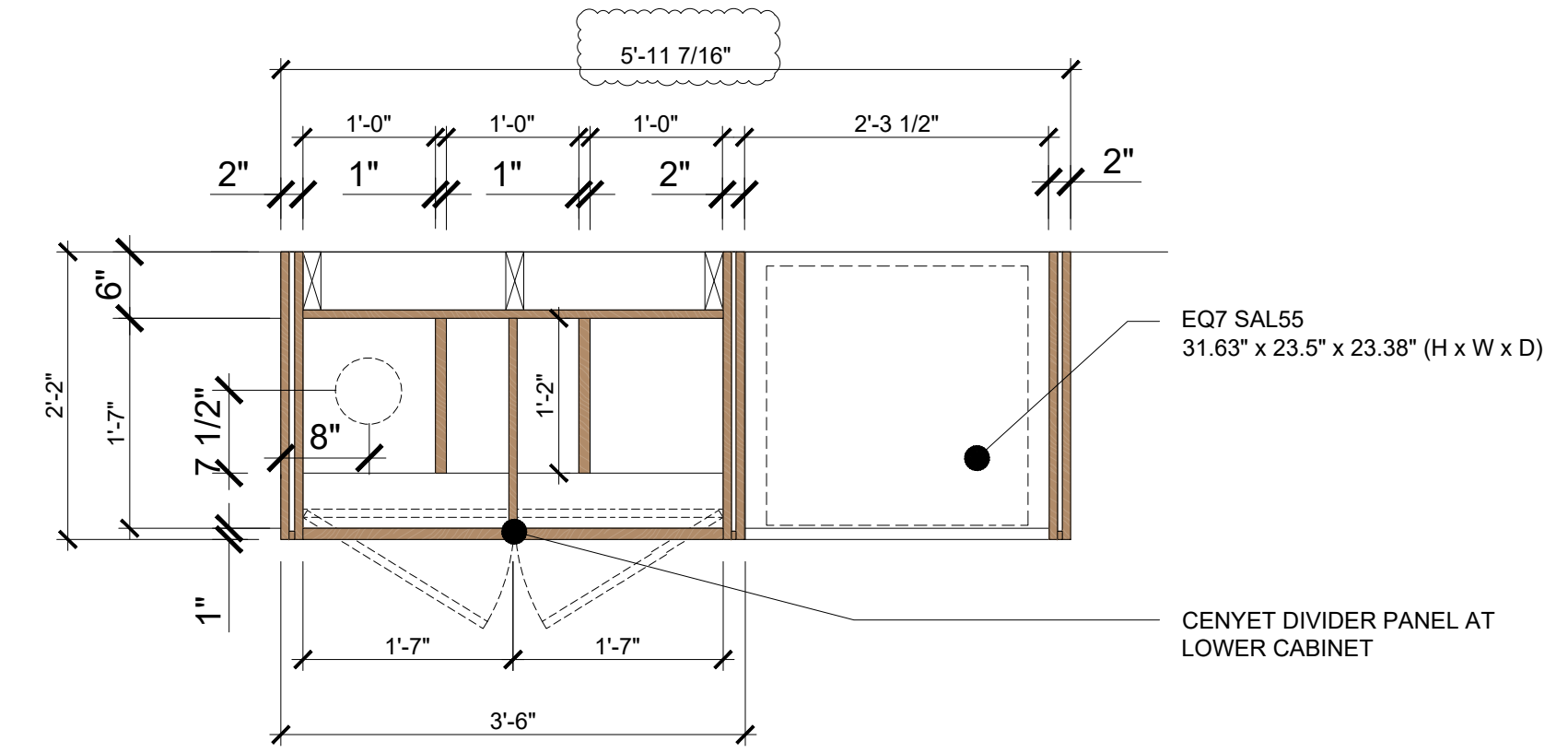
2 CYMBAL MULTIFAMILY SECTION
FROM: U / ID-114 SCALE: 3/4" = 1'-0"



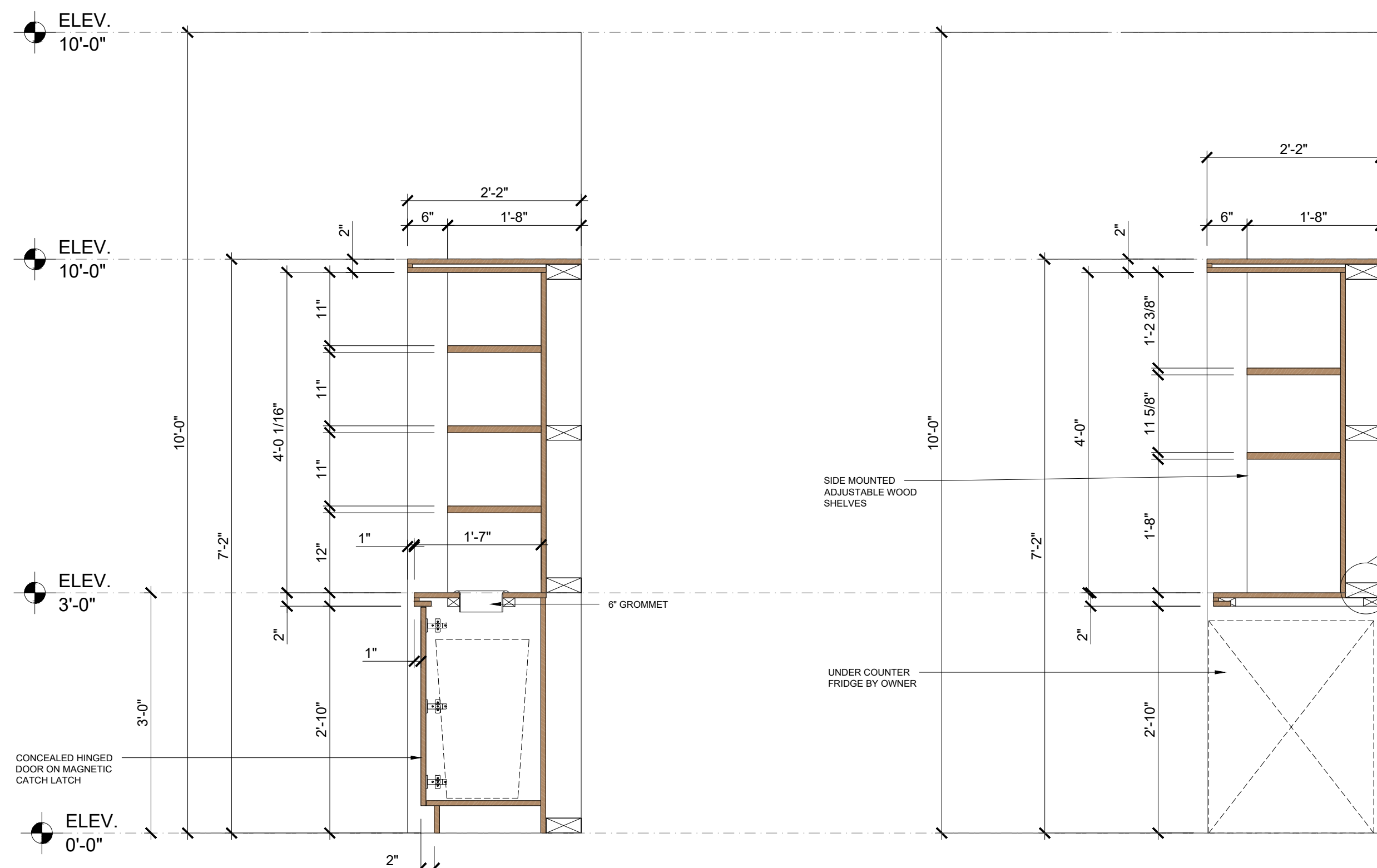
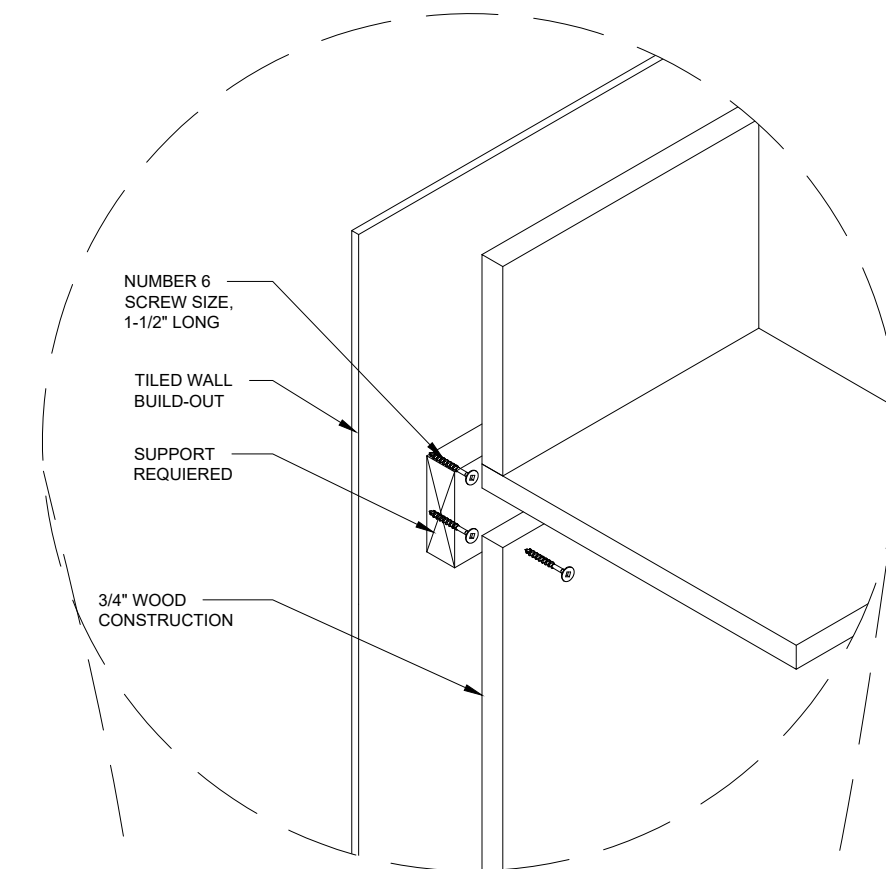
I CYMBAL MULTIFAMILY ELEVATION
FROM: 14 / ID-114 SCALE: 3/4" = 1'-0"

WD-03 WOOD EXTERIOR APPLICATION. PT-01 - SHERMAN WILLIAMS SW 6203 SPARE WHITE
PT02 - SHERMAN WILLIAMS SW 7017 DORIAN GRAY

PROJECT:	SHOP DRAWING:	<table border="1"> <thead> <tr> <th>REVISION N°</th> <th>DATE</th> <th>DESCRIPTION</th> </tr> </thead> <tbody> <tr> <td>1</td> <td>2021.11.09</td> <td>SUBMISSION 1</td> </tr> <tr> <td>2</td> <td>2021.12.20</td> <td>SUBMISSION 2</td> </tr> <tr> <td>3</td> <td>2022.02.08</td> <td>SUBMISSION 3</td> </tr> </tbody> </table>	REVISION N°	DATE	DESCRIPTION	1	2021.11.09	SUBMISSION 1	2	2021.12.20	SUBMISSION 2	3	2022.02.08	SUBMISSION 3	LOCATION:	CONTENT:	DATE:
REVISION N°	DATE	DESCRIPTION															
1	2021.11.09	SUBMISSION 1															
2	2021.12.20	SUBMISSION 2															
3	2022.02.08	SUBMISSION 3															
			JOB #:	ELEVATION I	8/02/2022												
			REVISED BY: D.C.		SCALE: 3/4" = 1'-0"												
			DRAWN BY: D.P.		SHEET NUMBER:												
					FE-207												

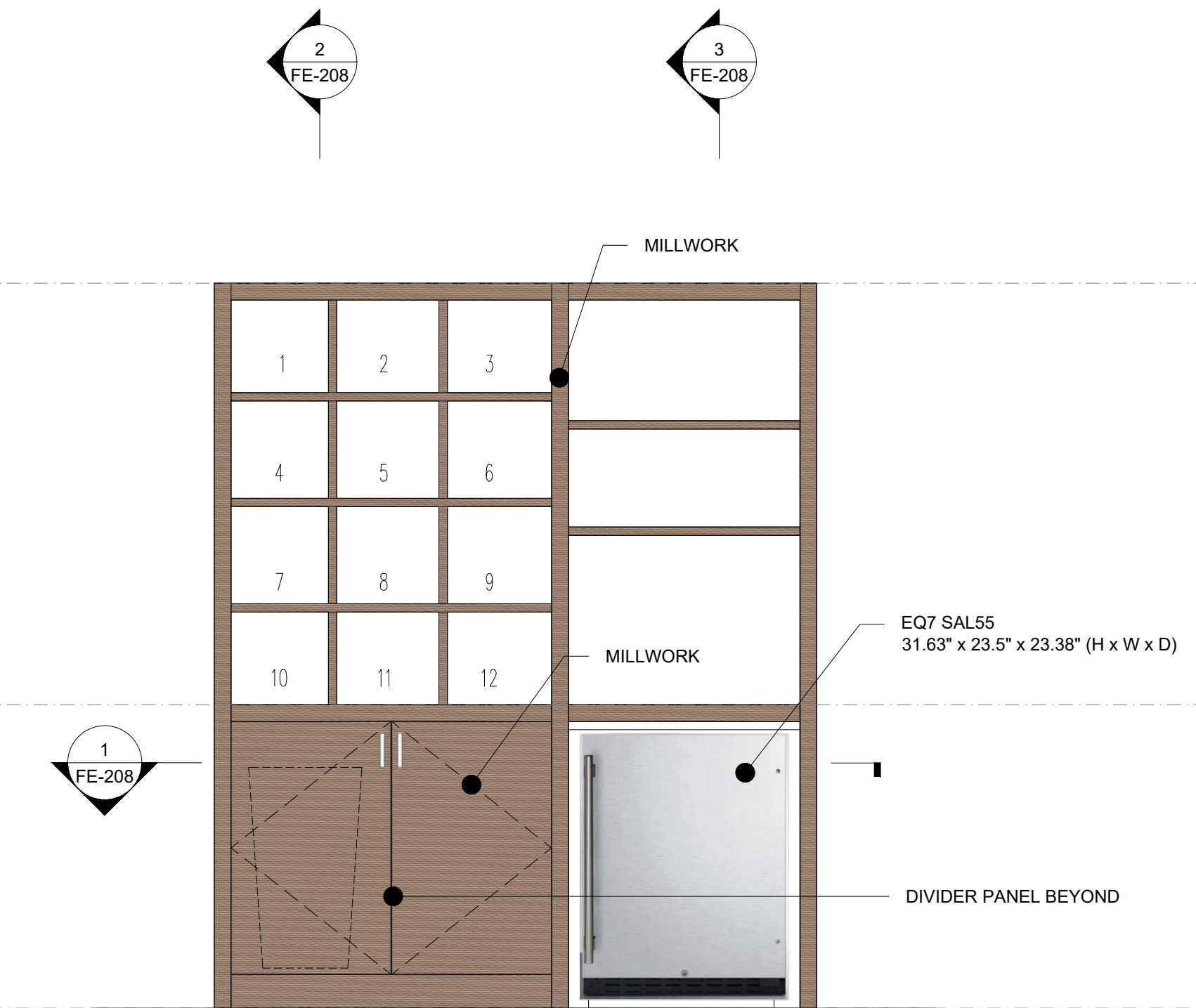


1 CYMBAL MULTIFAMILY PLAN
FROM: GG / ID-110 SCALE: 3/4" = 1'-0"



2 CYMBAL MULTIFAMILY SECTION
FROM: J / ID-110 SCALE: 3/4" = 1'-0"

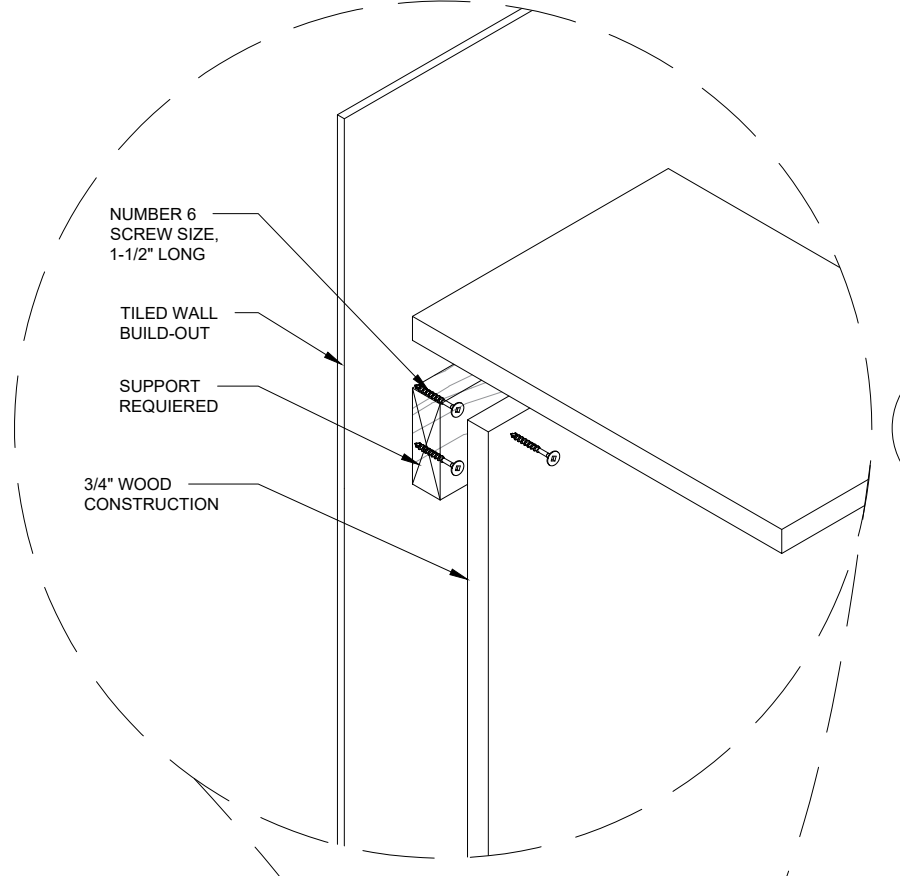
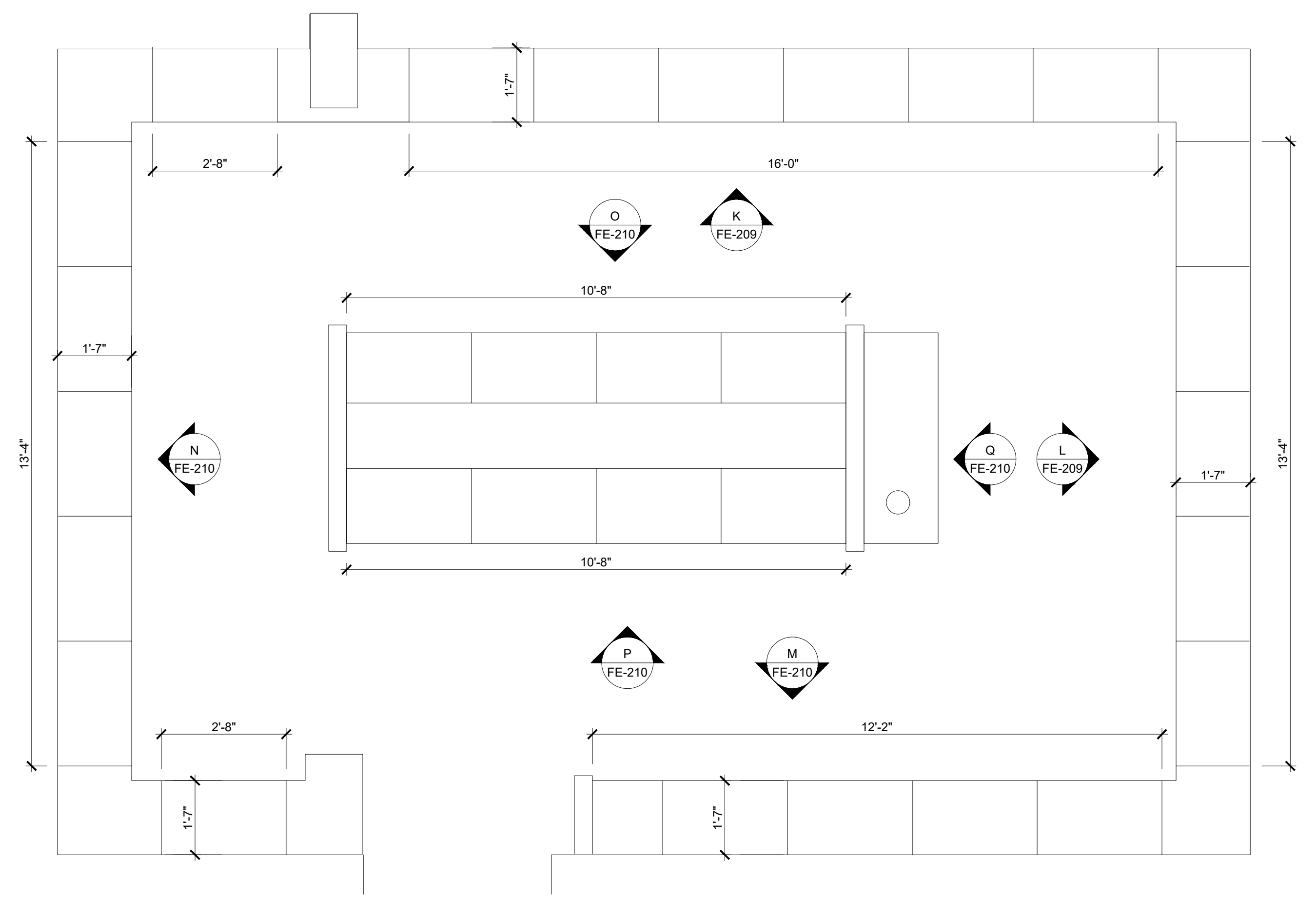
3 CYMBAL MULTIFAMILY SECTION
FROM: K / ID-110 SCALE: 3/4" = 1'-0"



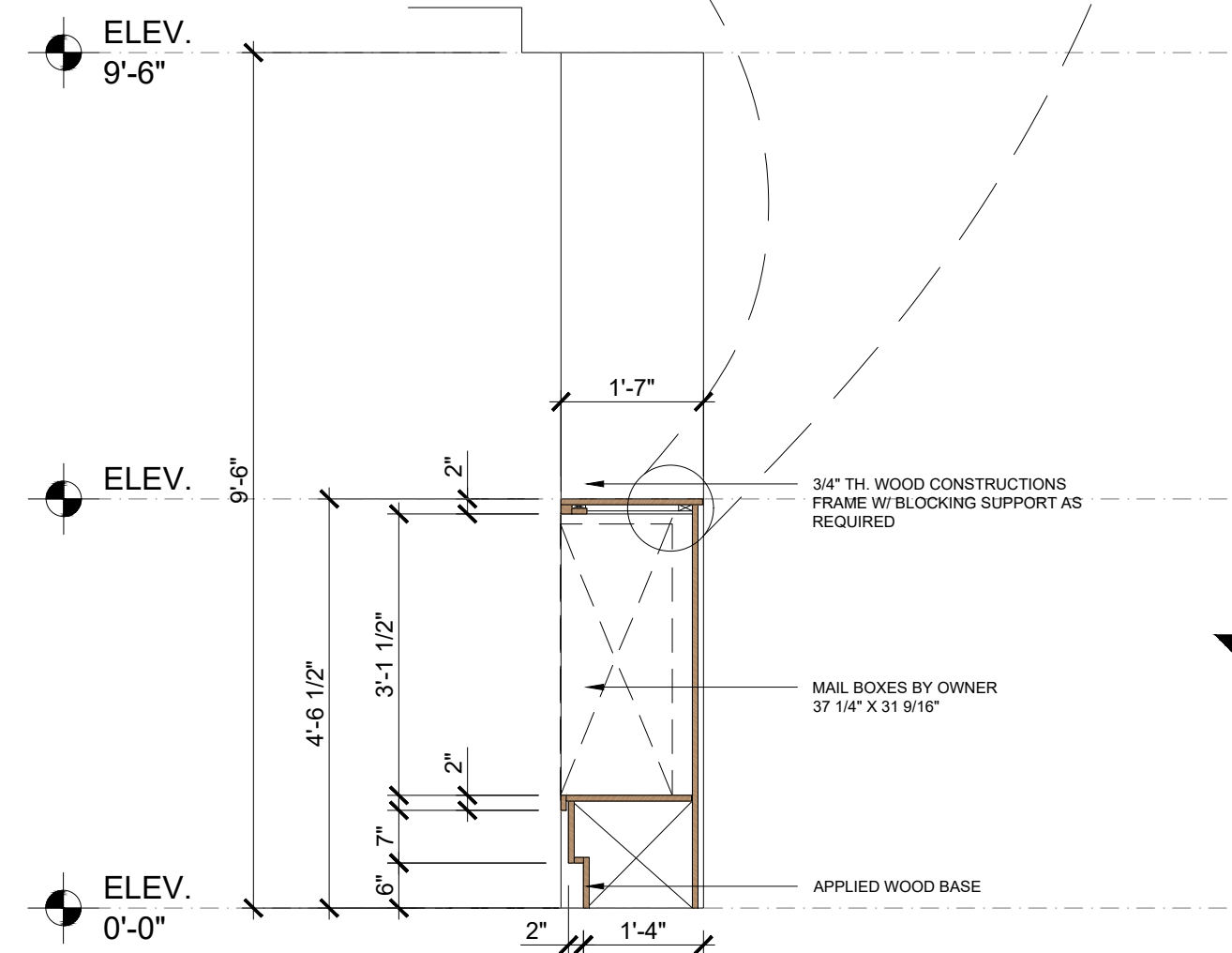
J CYMBAL MULTIFAMILY ELEVATION FITNESS
FROM: 7 / ID-110 SCALE: 3/4" = 1'-0"

PL-01 - PLASTIC LAMINATE

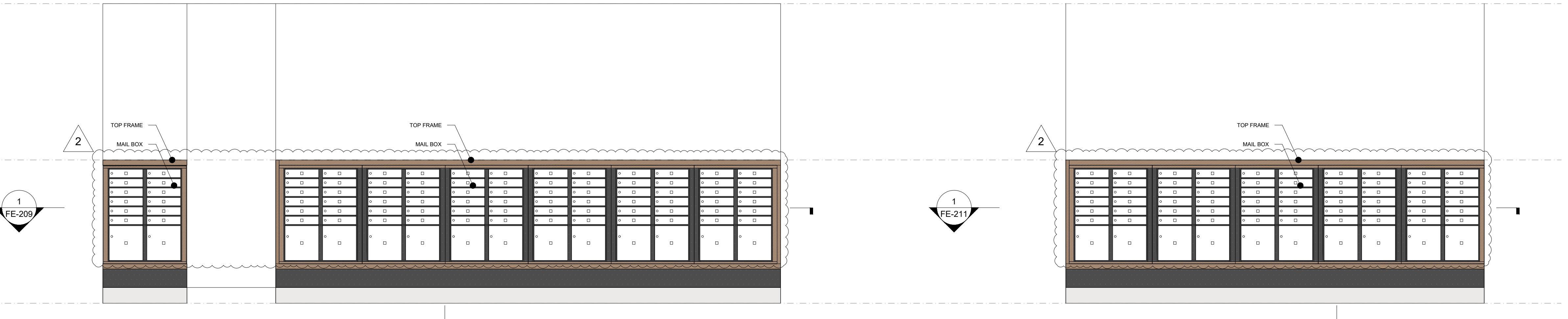
PROJECT:	SHOP DRAWING:	<table border="1"> <thead> <tr> <th>REVISION N°</th> <th>DATE</th> <th>DESCRIPTION</th> </tr> </thead> <tbody> <tr> <td>1</td> <td>2021.11.09</td> <td>SUBMISSION 1</td> </tr> <tr> <td>2</td> <td>2021.12.20</td> <td>SUBMISSION 2</td> </tr> <tr> <td>3</td> <td>2022.02.08</td> <td>SUBMISSION 3</td> </tr> </tbody> </table>	REVISION N°	DATE	DESCRIPTION	1	2021.11.09	SUBMISSION 1	2	2021.12.20	SUBMISSION 2	3	2022.02.08	SUBMISSION 3	LOCATION:	CONTENT:	DATE:
REVISION N°	DATE	DESCRIPTION															
1	2021.11.09	SUBMISSION 1															
2	2021.12.20	SUBMISSION 2															
3	2022.02.08	SUBMISSION 3															
			JOB #:	ELEVATION J	8/02/2022												
			REVISED BY: D.C.		SCALE: 3/4" = 1'-0"												
			DRAWN BY: D.P.		SHEET NUMBER:												
					FE-208												



1 MAIL ROOM PLAN
FROM: LL / ID-113 SCALE: 1/2" = 1'-0"



2 MAIL ROOM SECTION
FROM: P / ID-113 SCALE: 1/2" = 1'-0"



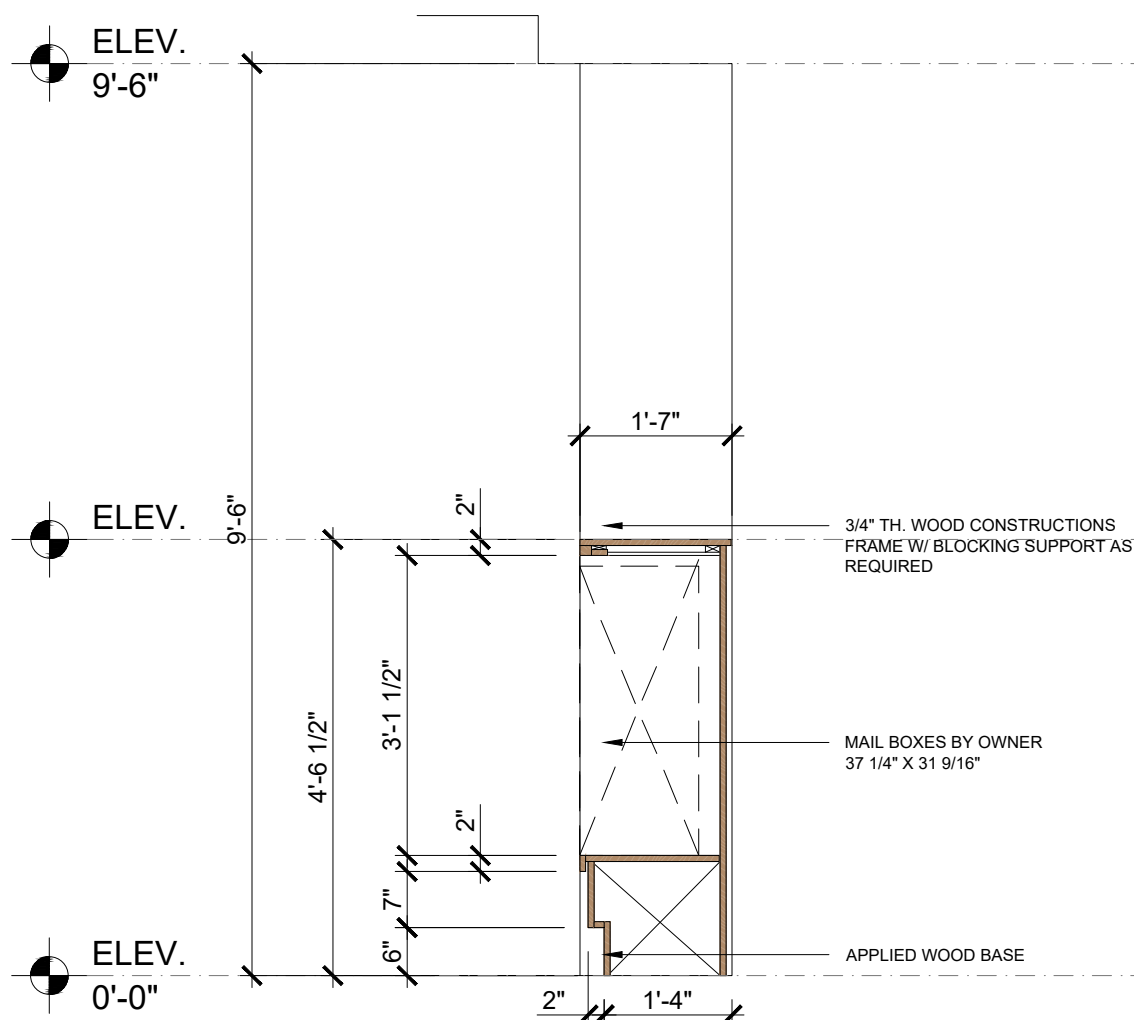
K MAIL ROOM ELEVATION
FROM: 35 / ID-125 SCALE: 1/2" = 1'-0"
PL-01 - PLASTIC LAMINATE MT-03 - METAL ELEVATOR DOORS BLACK
PT-01 - SHERMAN WILLIAMS SW 6203 SPARE WHITE

L MAIL ROOM ELEVATION
FROM: 36 / ID-125 SCALE: 1/2" = 1'-0"
PL-01 - PLASTIC LAMINATE MT-03 - METAL ELEVATOR DOORS BLACK
PT-01 - SHERMAN WILLIAMS SW 6203 SPARE WHITE

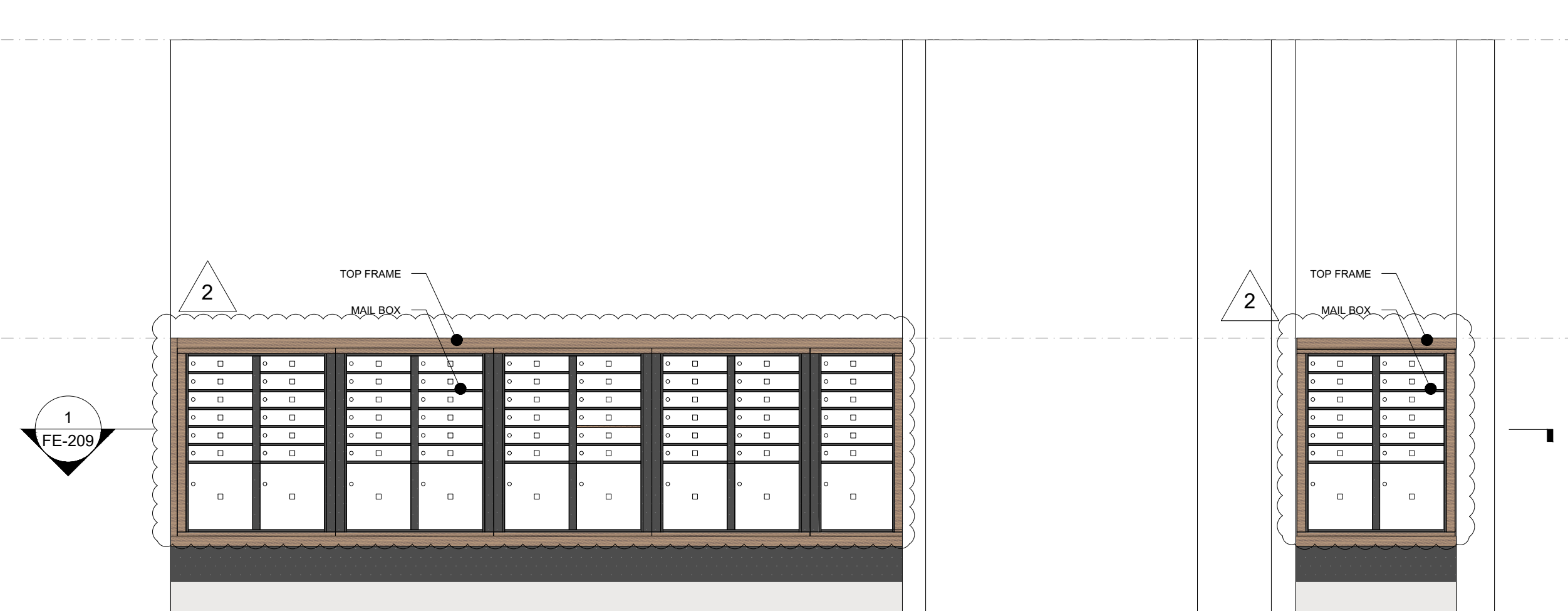
PROJECT:	SHOP DRAWING:	
REVISION N°	DATE	DESCRIPTION
1	2021.11.09	SUBMISSION 1
2	2021.12.20	SUBMISSION 2
3	2022.02.08	SUBMISSION 3

LOCATION:	DATE:
JOB #:	8/02/2022
REVISED BY:	SCALE:
D.C.	1/2" = 1'-0"
DRAWN BY:	SHEET NUMBER:
D.P.	FE-209

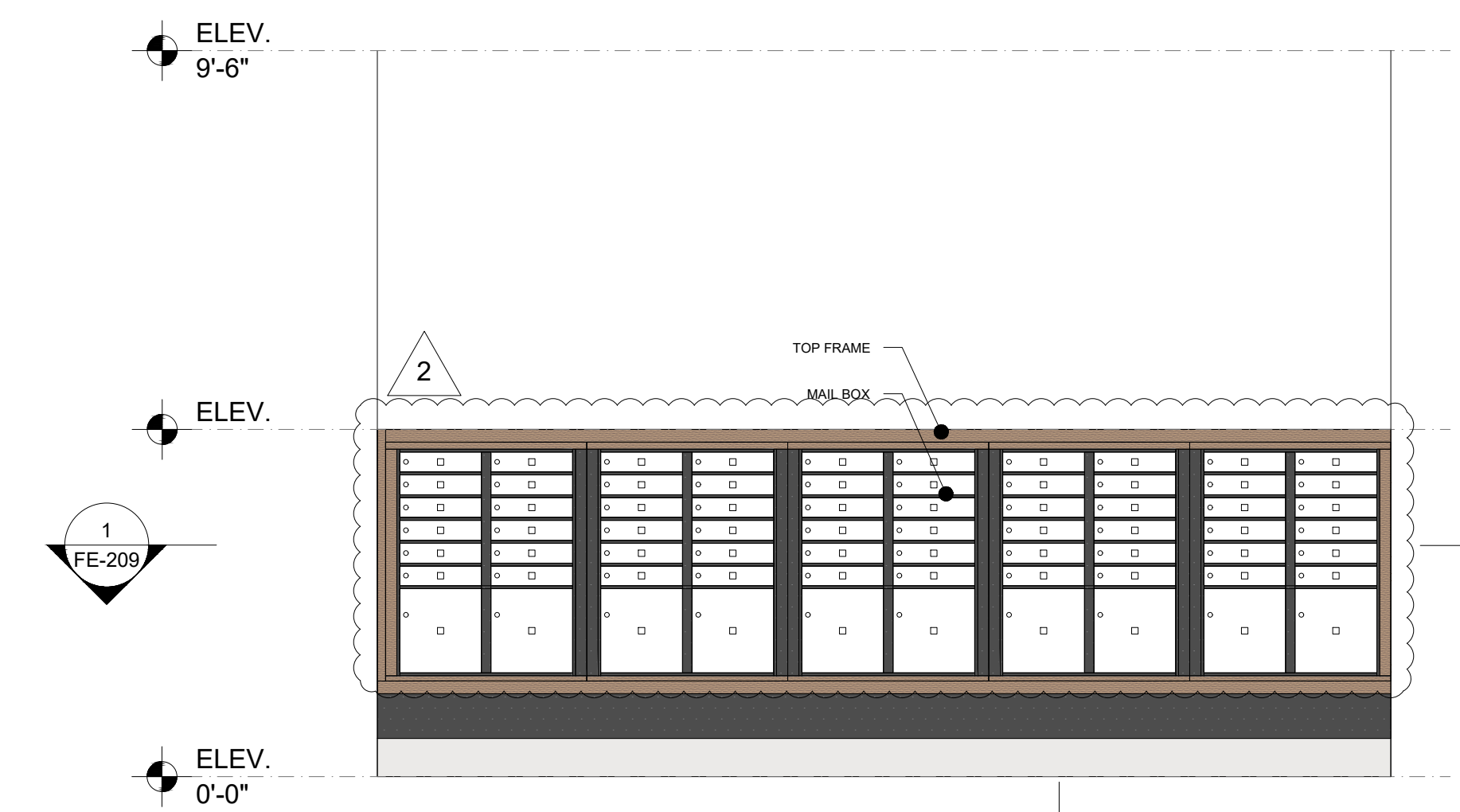
CONTENT:	DATE:
ELEVATION K - L	8/02/2022
SCALE:	1/2" = 1'-0"
SHEET NUMBER:	FE-209



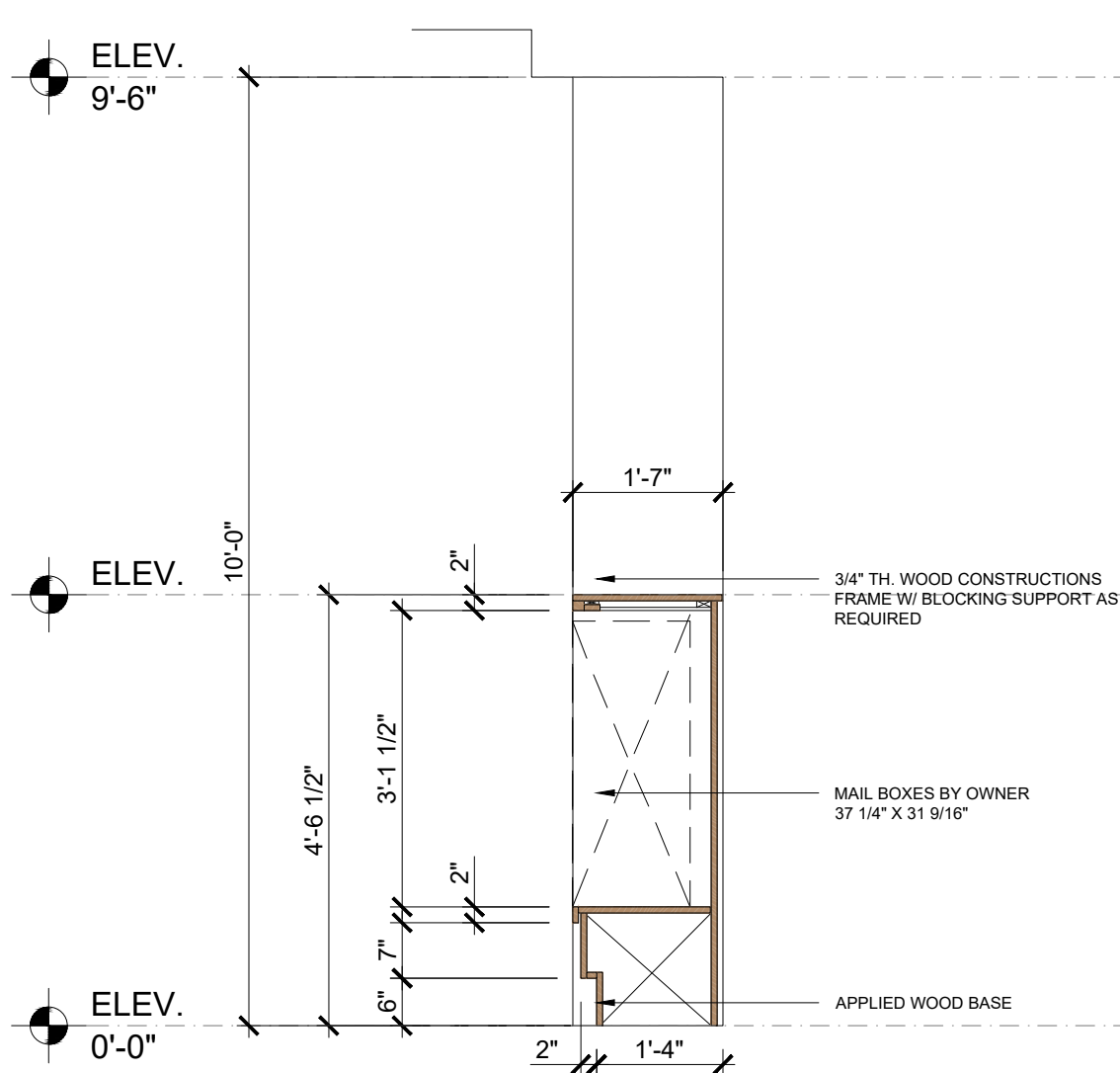
2 MAIL ROOM SECTION
FROM: P / ID-113 SCALE: 1/2" = 1'-0"



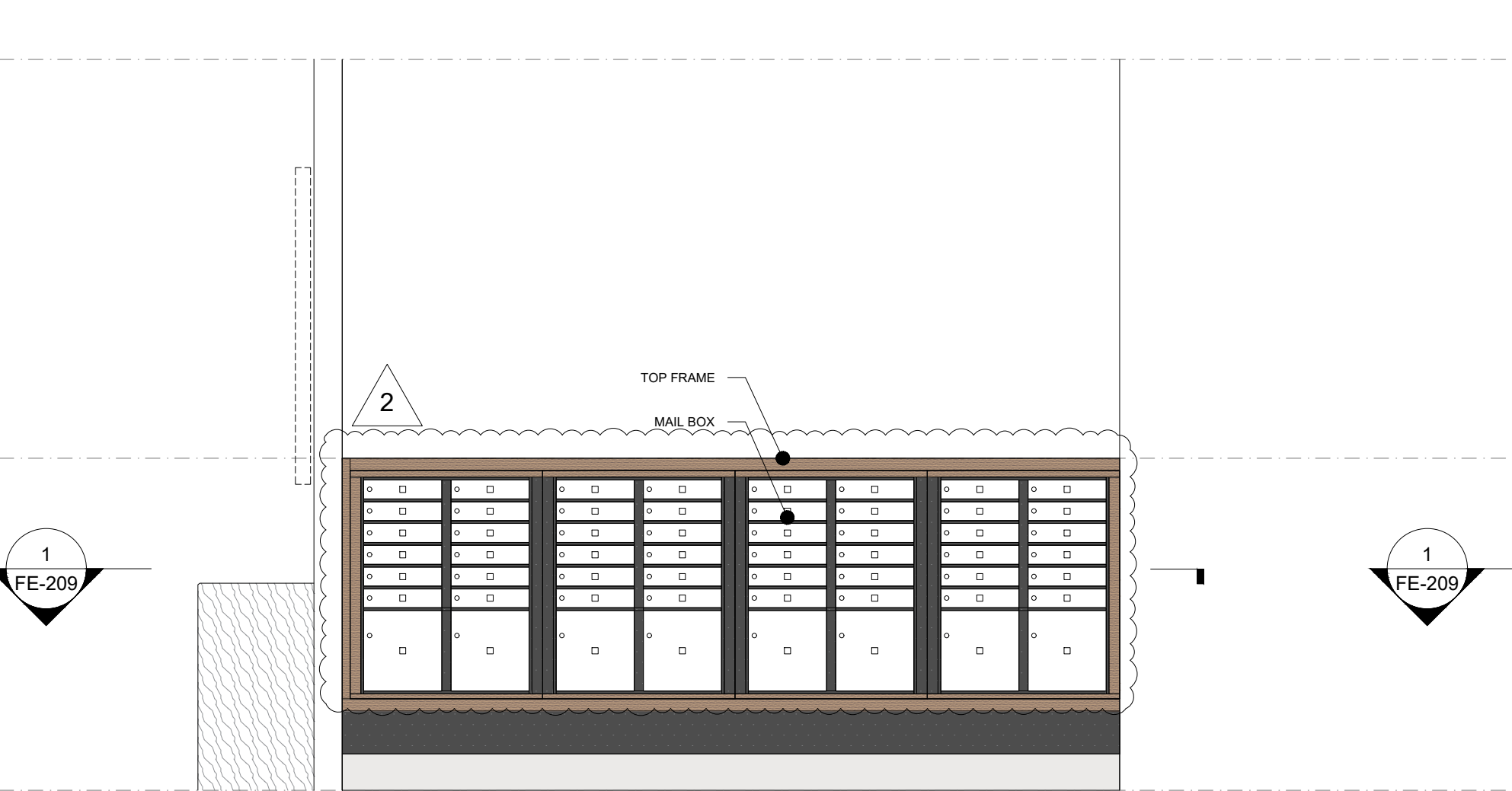
M MAIL ROOM ELEVATION
FROM: 37 / ID-125 SCALE: 1/2" = 1'-0"
 ■ PL-01 - PLASTIC LAMINATE ■ MT-03 - METAL ELEVATOR DOORS BLACK
 ■ PT-01 - SHERMAN WILLIAMS SW 6203 SPARE WHITE



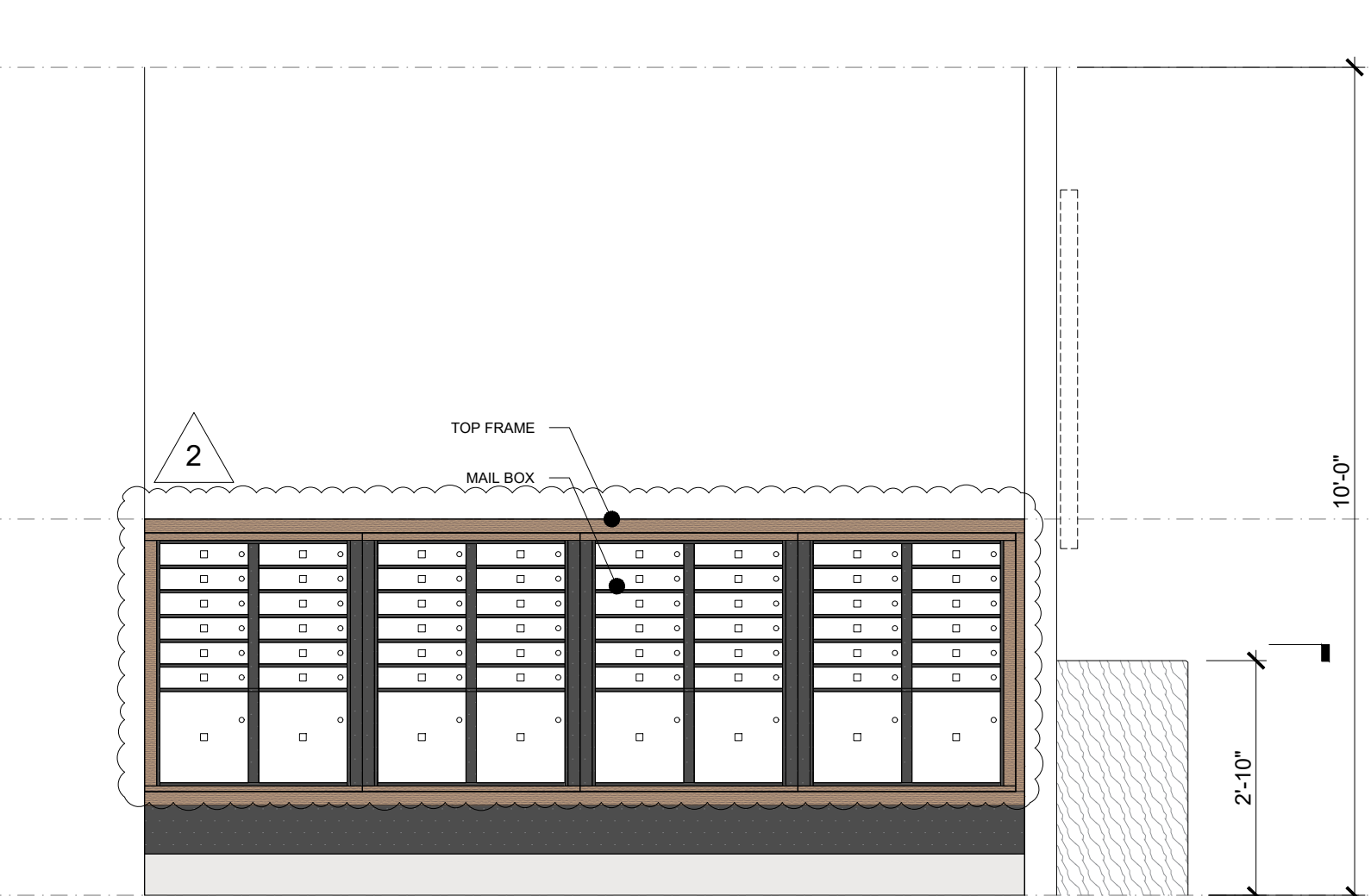
N MAIL ROOM ELEVATION
FROM: 38 / ID-125 SCALE: 1/2" = 1'-0"
 ■ PL-01 - PLASTIC LAMINATE ■ MT-03 - METAL ELEVATOR DOORS BLACK
 ■ PT-01 - SHERMAN WILLIAMS SW 6203 SPARE WHITE



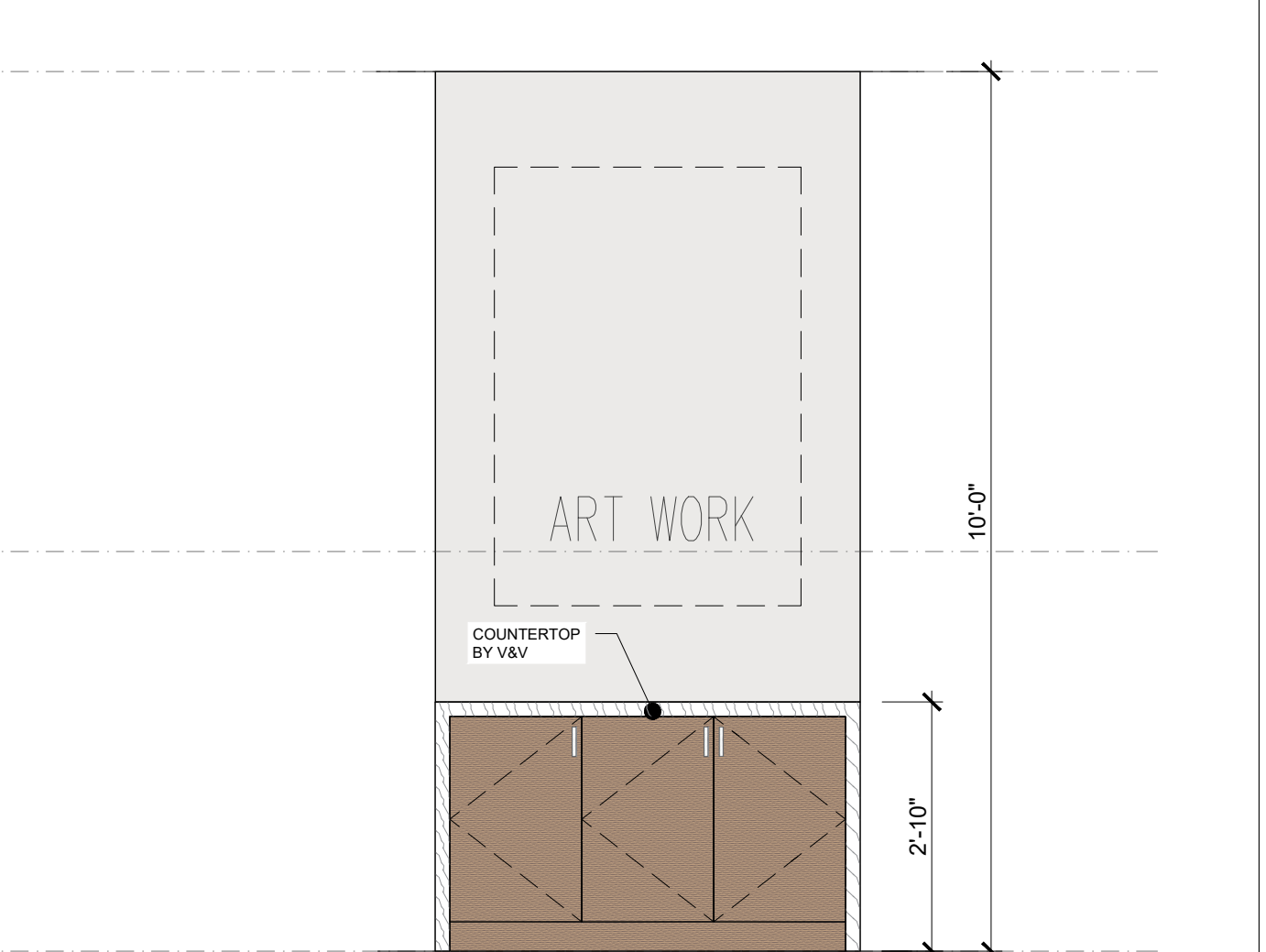
3 MAIL ROOM SECTION
FROM: P / ID-113 SCALE: 1/2" = 1'-0"



O MAIL ROOM ELEVATION
FROM: 40 / ID-125 SCALE: 1/2" = 1'-0"
 ■ PL-01 - PLASTIC LAMINATE ■ MT-03 - METAL ELEVATOR DOORS BLACK
 ■ PT-01 - SHERMAN WILLIAMS SW 6203 SPARE WHITE

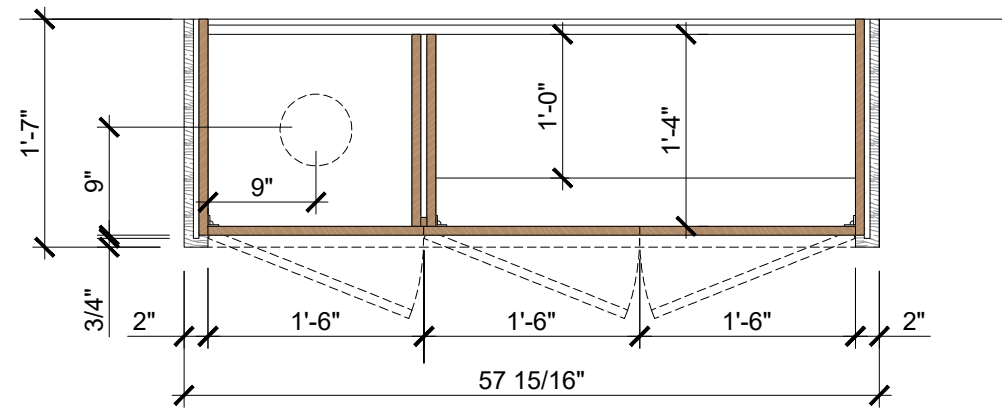
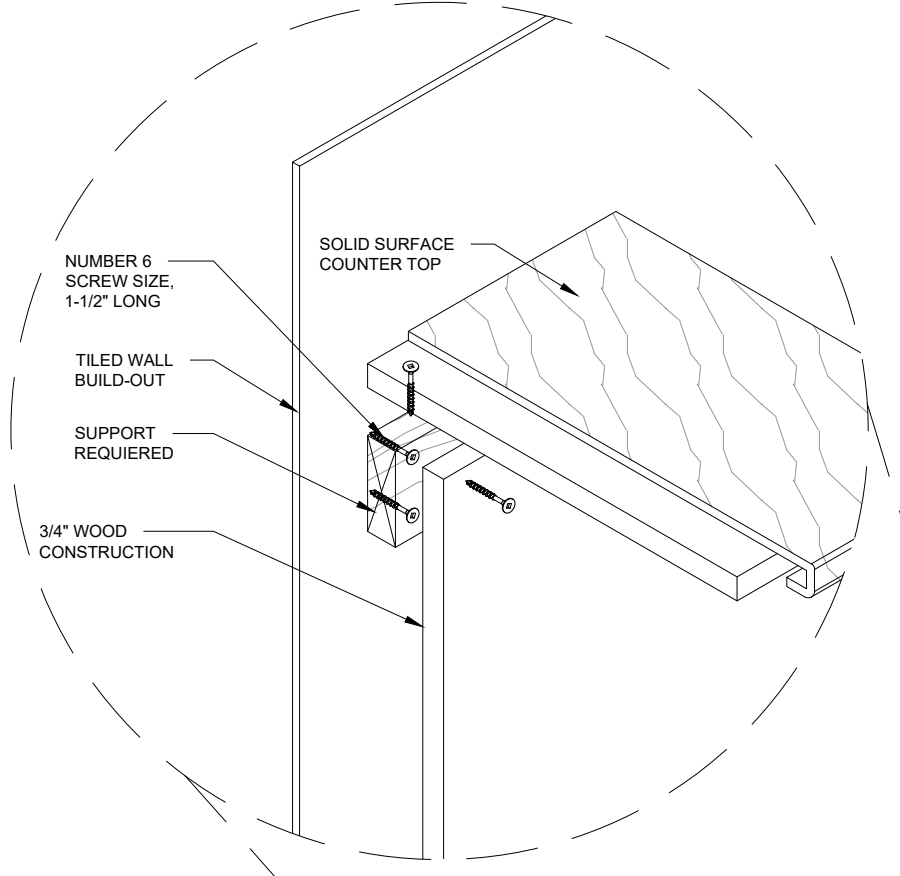


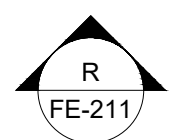
P MAIL ROOM ELEVATION
FROM: 41 / ID-125 SCALE: 1/2" = 1'-0"
 ■ PL-01 - PLASTIC LAMINATE ■ MT-03 - METAL ELEVATOR DOORS BLACK
 ■ PT-01 - SHERMAN WILLIAMS SW 6203 SPARE WHITE

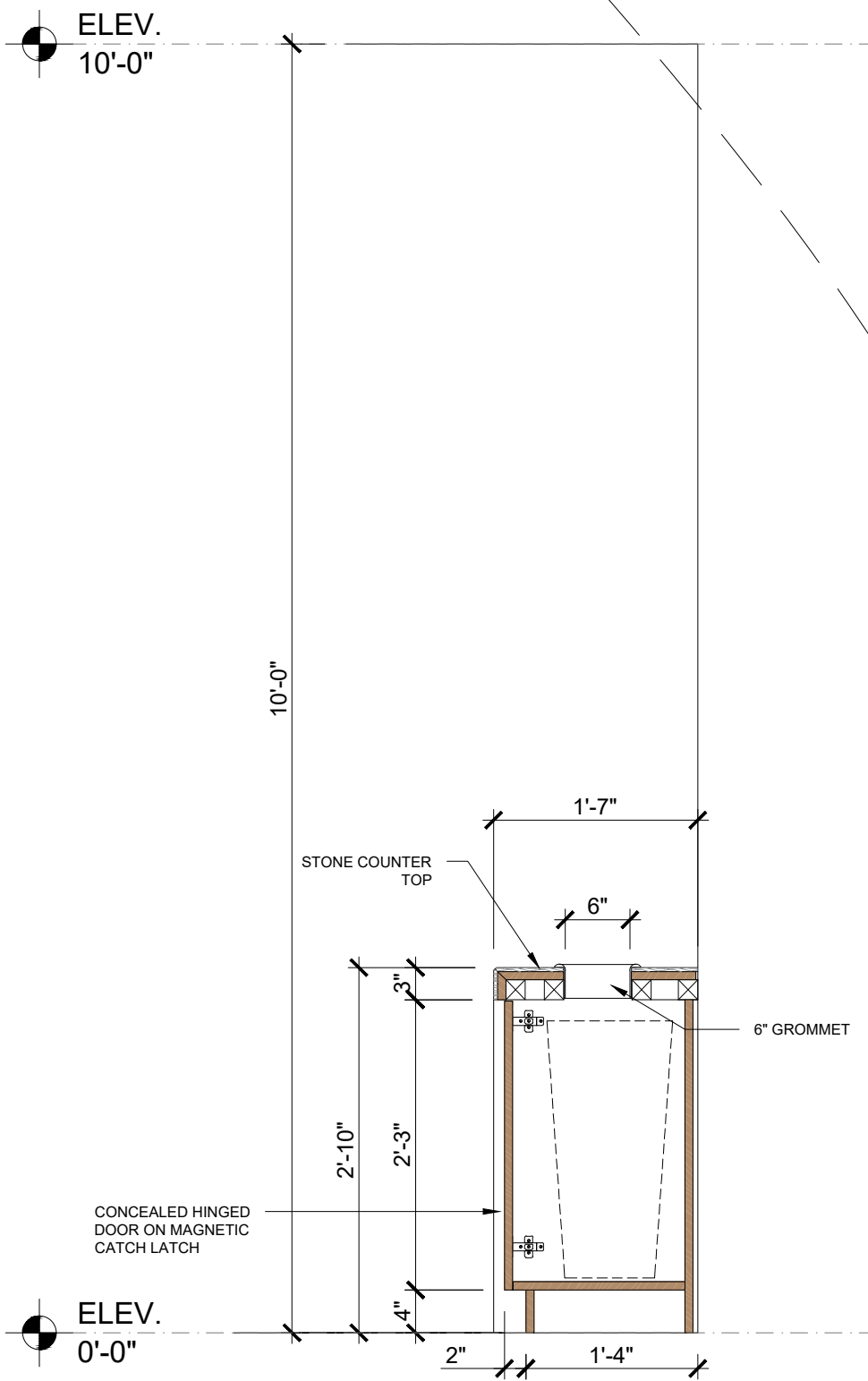


Q MAIL ROOM ELEVATION
FROM: 39 / ID-125 SCALE: 1/2" = 1'-0"
 ■ PL-01 - PLASTIC LAMINATE ■ PT-01 - SHERMAN WILLIAMS SW 6203 SPARE WHITE
 ■ ST-02 - PORCELAIN SLAB MARBLE LOOK

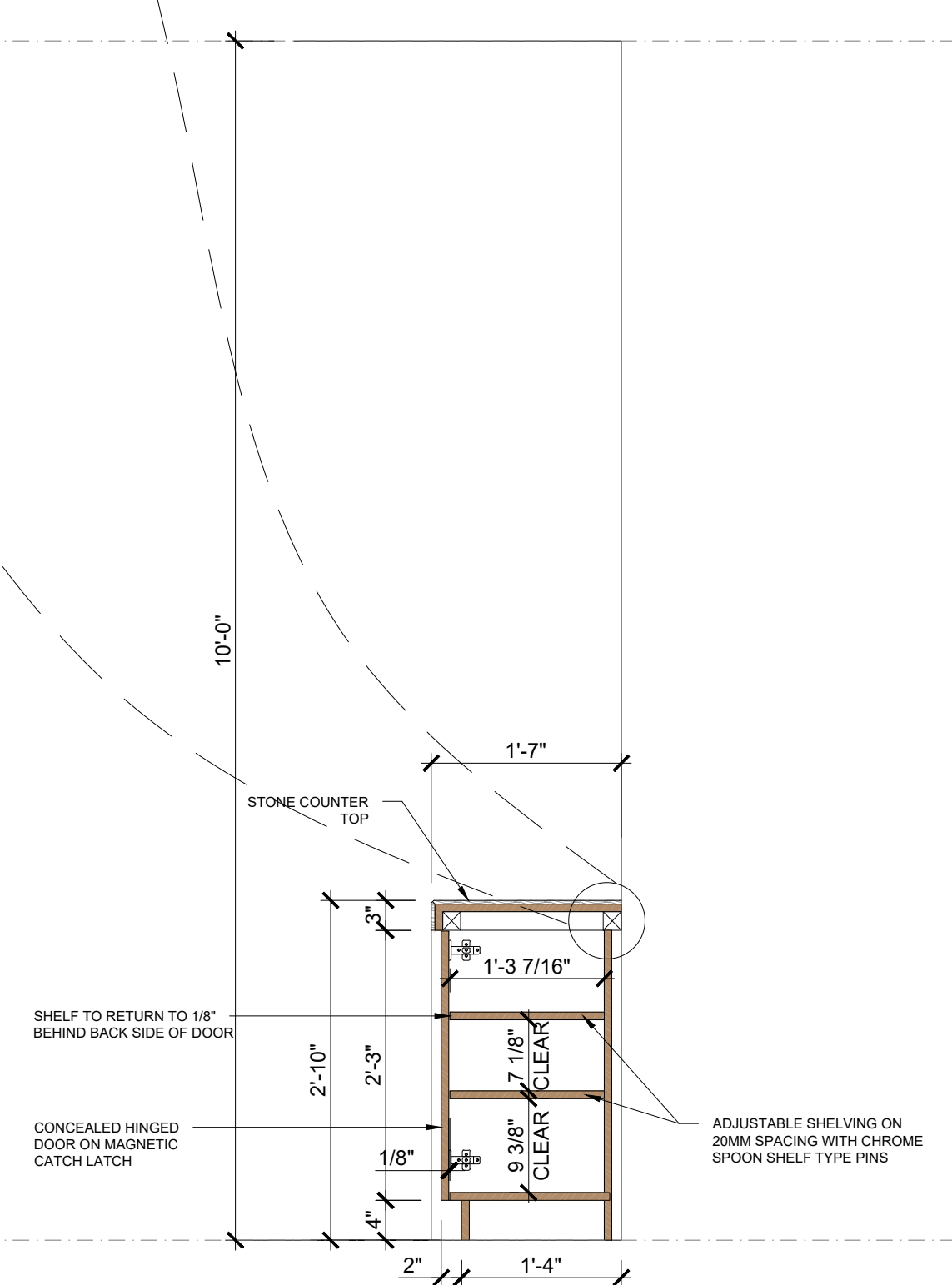
PROJECT:	SHOP DRAWING:	<table border="1"> <thead> <tr> <th>REVISION N°</th> <th>DATE</th> <th>DESCRIPTION</th> </tr> </thead> <tbody> <tr> <td>1</td> <td>2021.11.09</td> <td>SUBMISSION 1</td> </tr> <tr> <td>2</td> <td>2021.12.20</td> <td>SUBMISSION 2</td> </tr> <tr> <td>3</td> <td>2022.02.08</td> <td>SUBMISSION 3</td> </tr> </tbody> </table>	REVISION N°	DATE	DESCRIPTION	1	2021.11.09	SUBMISSION 1	2	2021.12.20	SUBMISSION 2	3	2022.02.08	SUBMISSION 3	LOCATION:	CONTENT:	DATE:
REVISION N°	DATE	DESCRIPTION															
1	2021.11.09	SUBMISSION 1															
2	2021.12.20	SUBMISSION 2															
3	2022.02.08	SUBMISSION 3															
			JOB #:	ELEVATION M - N - O - P - Q	8/02/2022												
			REVISED BY: D.C.		SCALE: 1/2" = 1'-0"												
			DRAWN BY: D.P.		SHEET NUMBER:												
					FE-210												



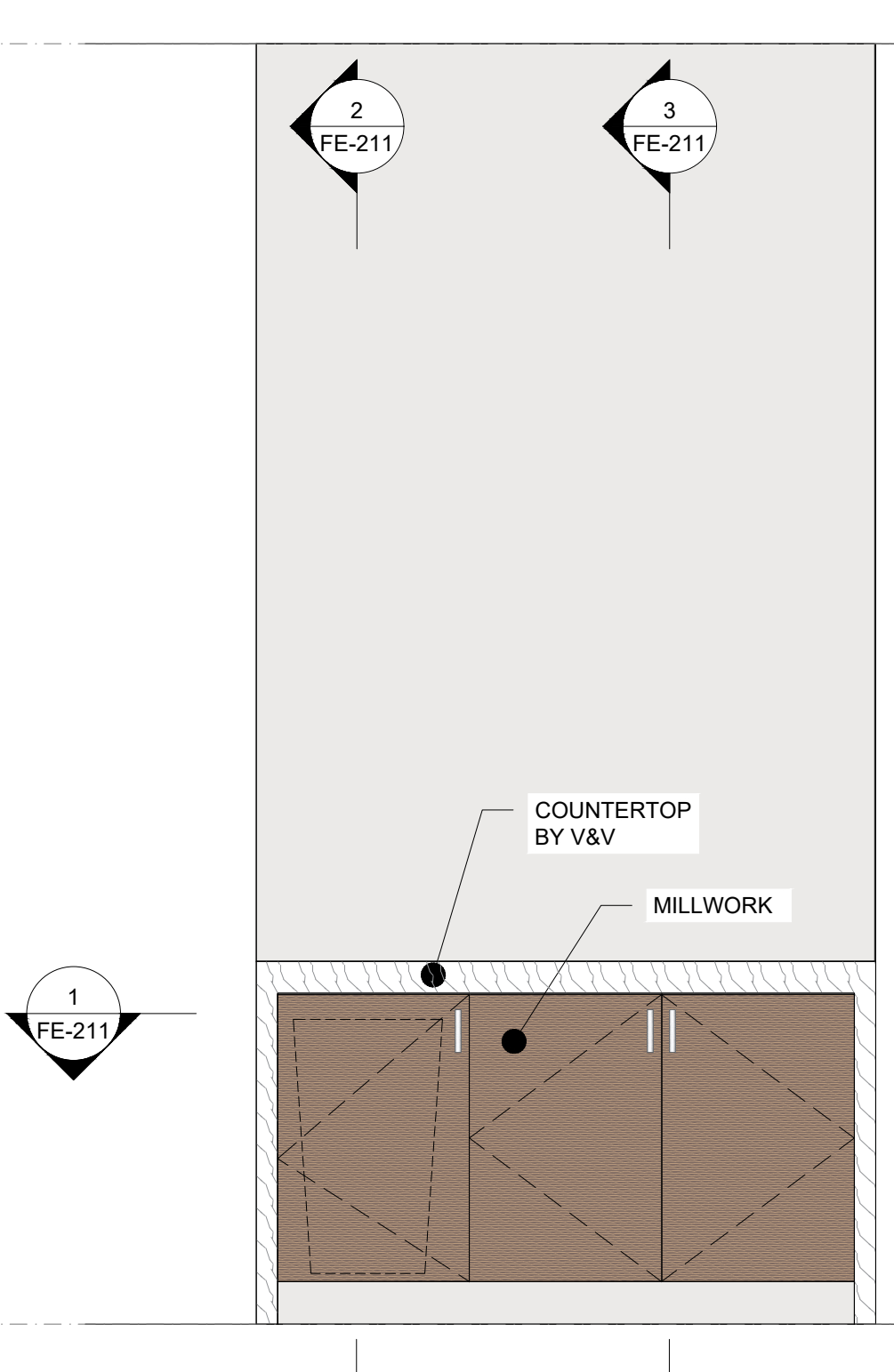

1 CYMBAL MULTIFAMILY PLAN
 FROM: MM / ID-113 SCALE: 3/4" = 1'-0"



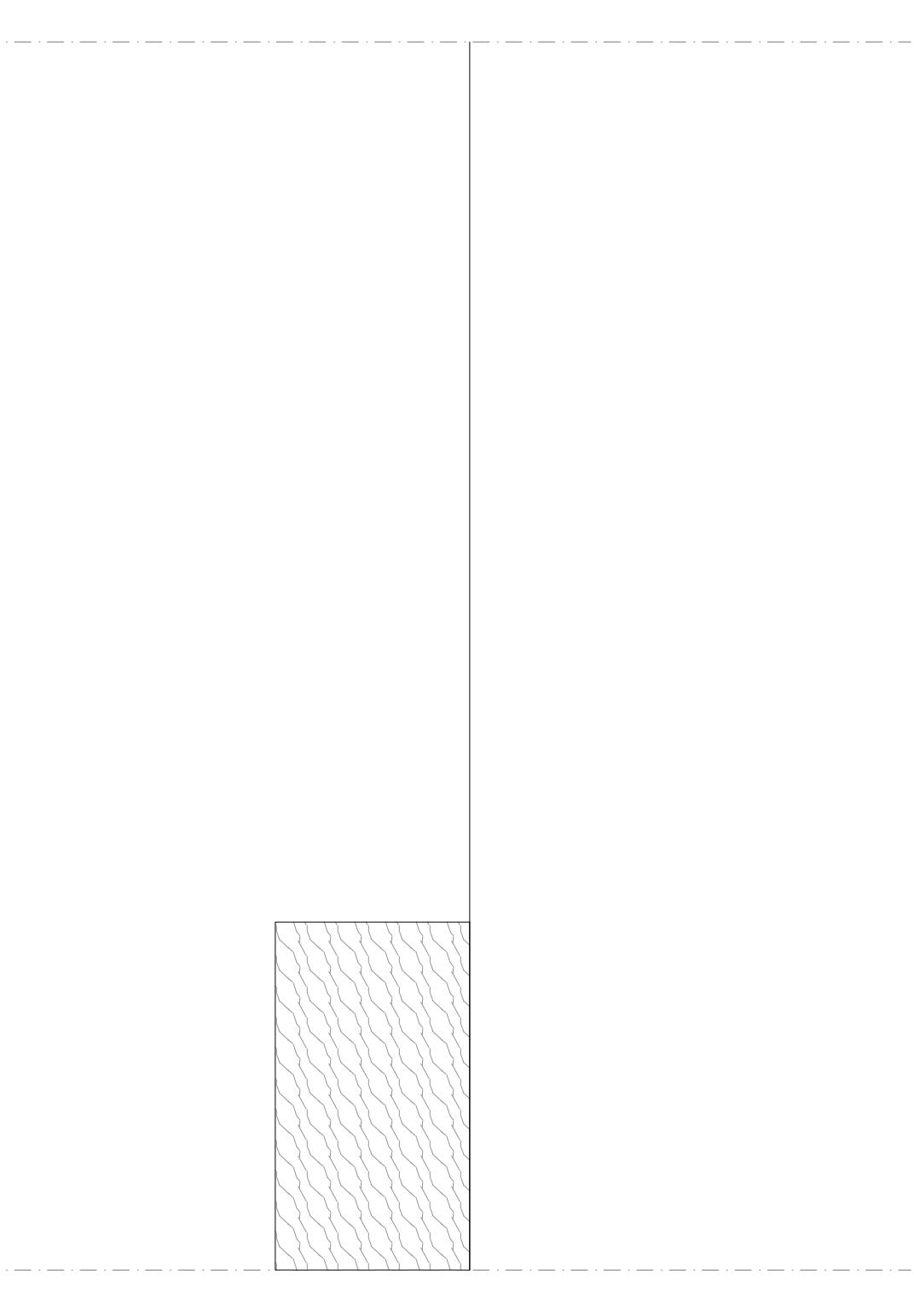
2 CYMBAL MULTIFAMILY SECTION
 FROM: Q / ID-113 SCALE: 3/4" = 1'-0"



3 CYMBAL MULTIFAMILY SECTION
 FROM: R / ID-113 SCALE: 3/4" = 1'-0"



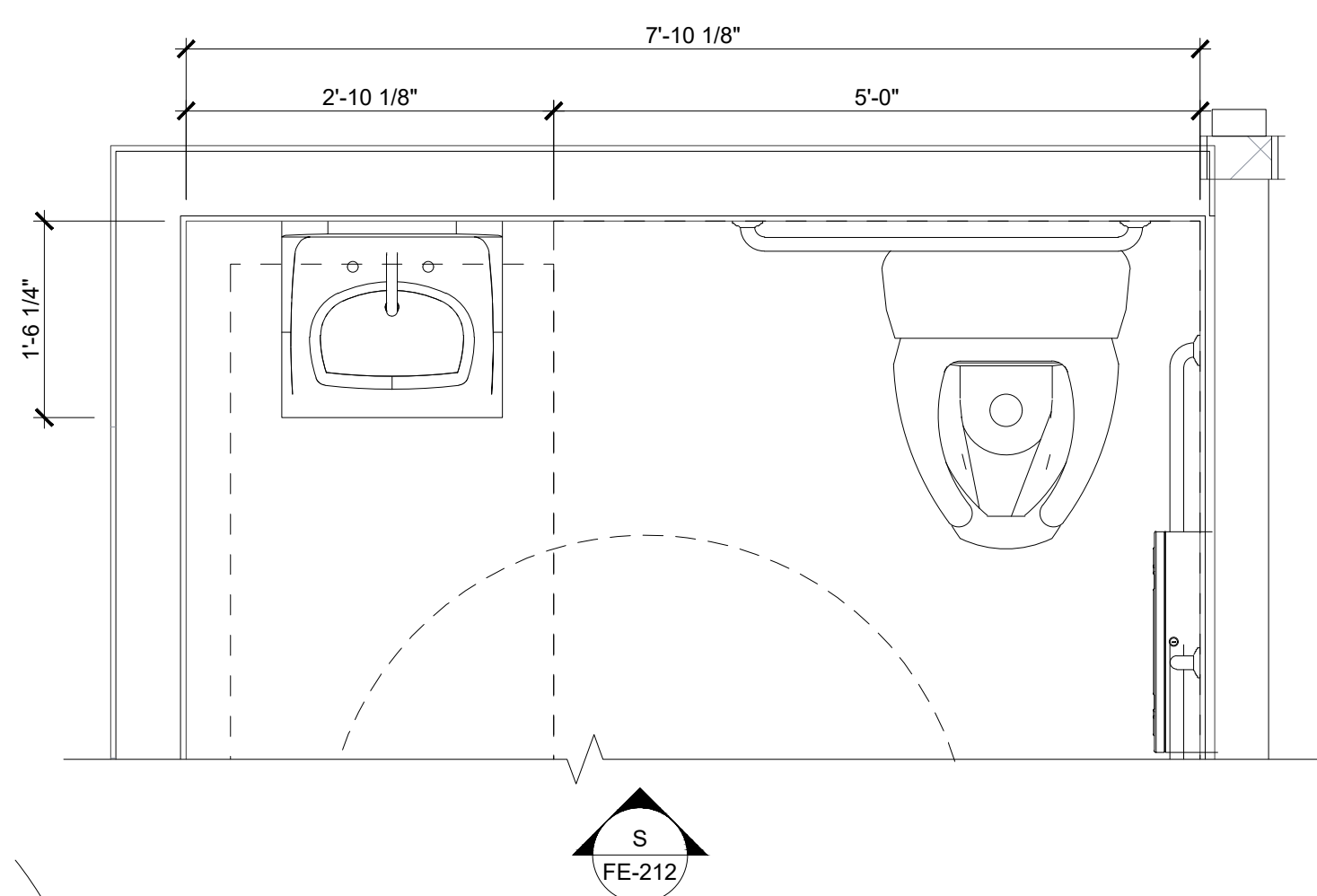
R CYMBAL MULTIFAMILY ELEVATION MAILROOM
 FROM: 11 / ID-113 SCALE: 3/4" = 1'-0"



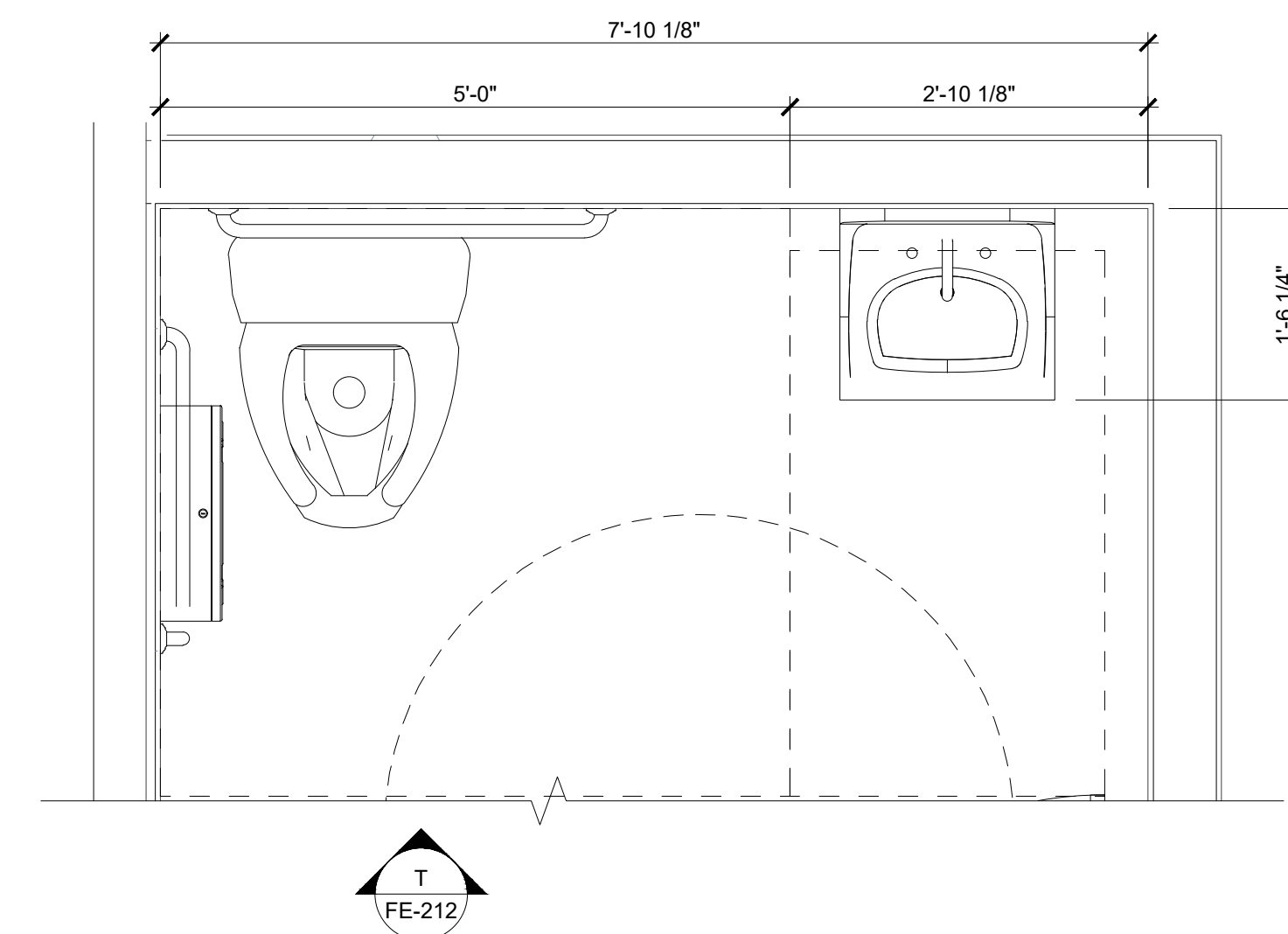
R1 SIDE ELEVATION
 FROM: 11 / ID-113 SCALE: 3/4" = 1'-0"

PL-01 - PLASTIC LAMINATE
 PT-01 SHERMAN WILLIAMS SW 6203 SPARE WHITE
 ST-02 - PORCELAIN SLAB MARBLE LOOK

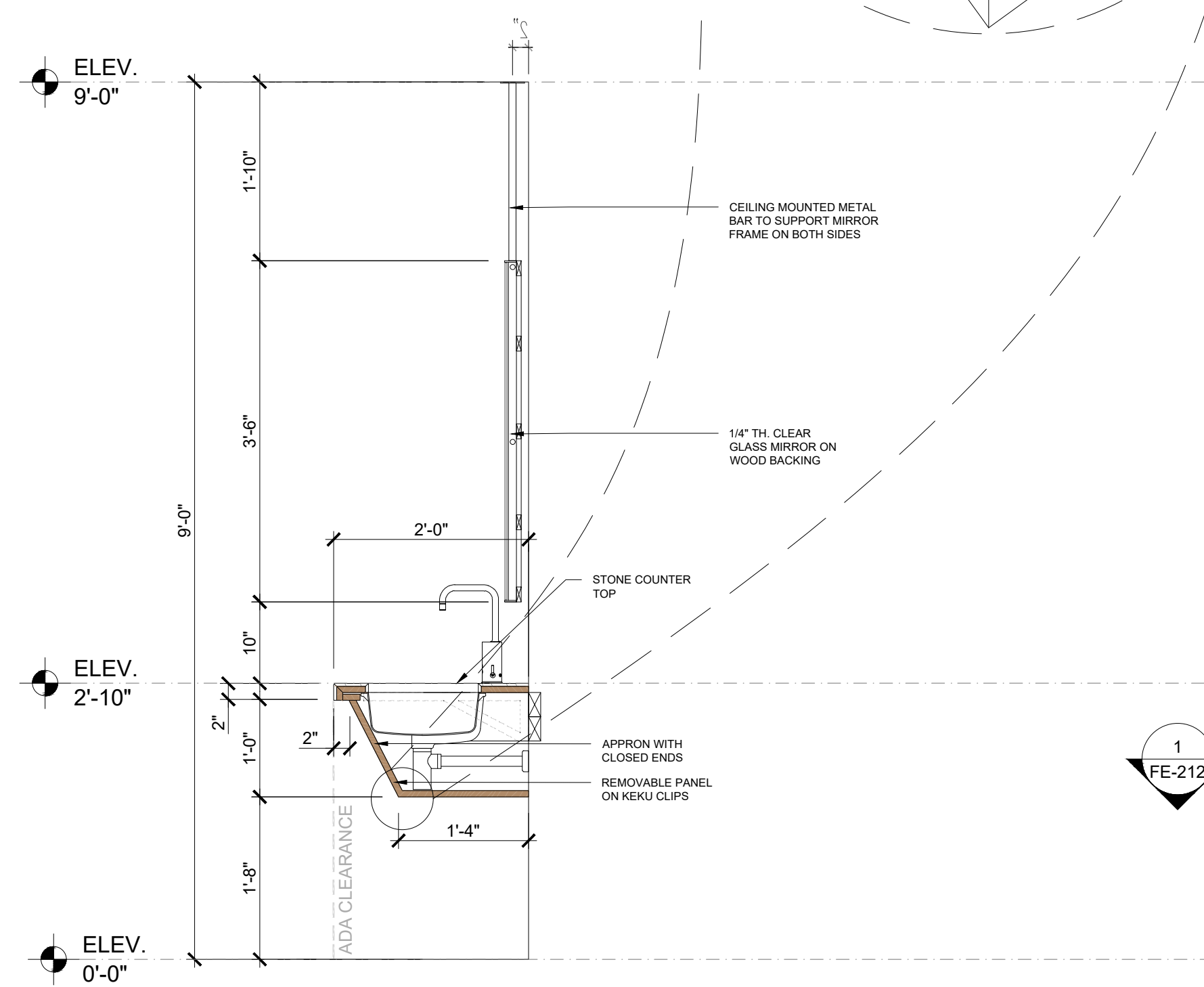
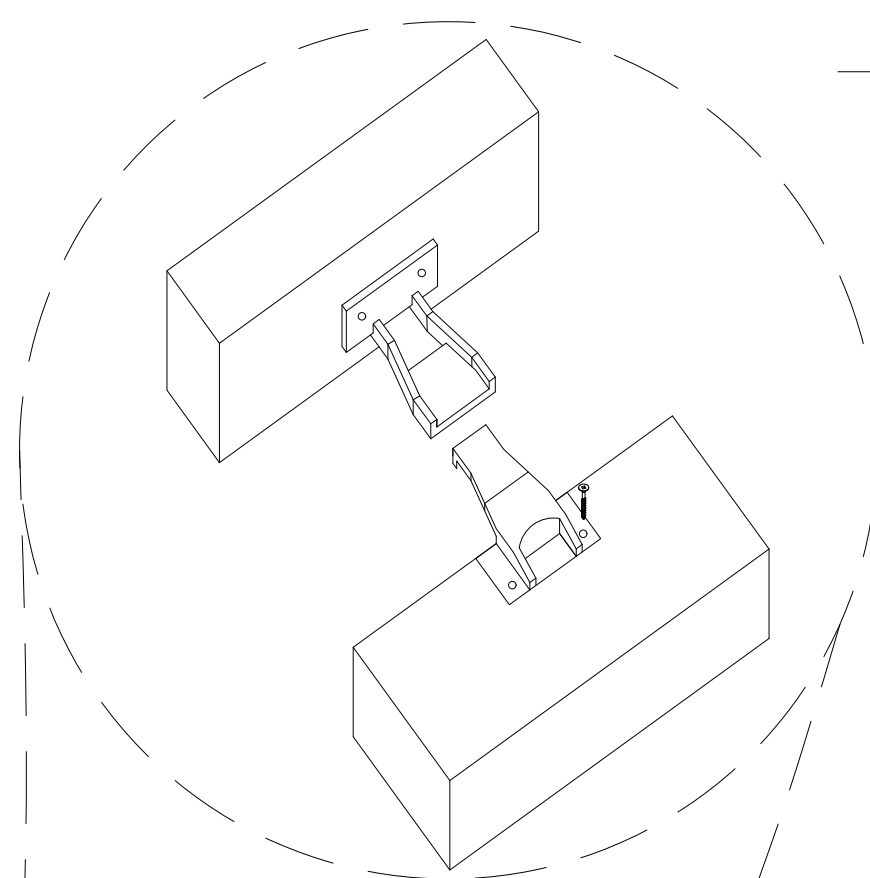
PROJECT:	SHOP DRAWING:	<table border="1" style="width: 100%; border-collapse: collapse;"> <thead> <tr> <th>REVISION N°</th> <th>DATE</th> <th>DESCRIPTION</th> </tr> </thead> <tbody> <tr> <td>1</td> <td>2021.11.09</td> <td>SUBMISSION 1</td> </tr> <tr> <td>2</td> <td>2021.12.20</td> <td>SUBMISSION 2</td> </tr> <tr> <td>3</td> <td>2022.02.08</td> <td>SUBMISSION 3</td> </tr> </tbody> </table>	REVISION N°	DATE	DESCRIPTION	1	2021.11.09	SUBMISSION 1	2	2021.12.20	SUBMISSION 2	3	2022.02.08	SUBMISSION 3	LOCATION:	CONTENT:	DATE:
REVISION N°	DATE	DESCRIPTION															
1	2021.11.09	SUBMISSION 1															
2	2021.12.20	SUBMISSION 2															
3	2022.02.08	SUBMISSION 3															
			JOB #:	ELEVATION R	8/02/2022												
			REVISED BY: D.C.		SCALE: 3/4" = 1'-0"												
			DRAWN BY: D.P.		SHEET NUMBER:												
					FE-211												



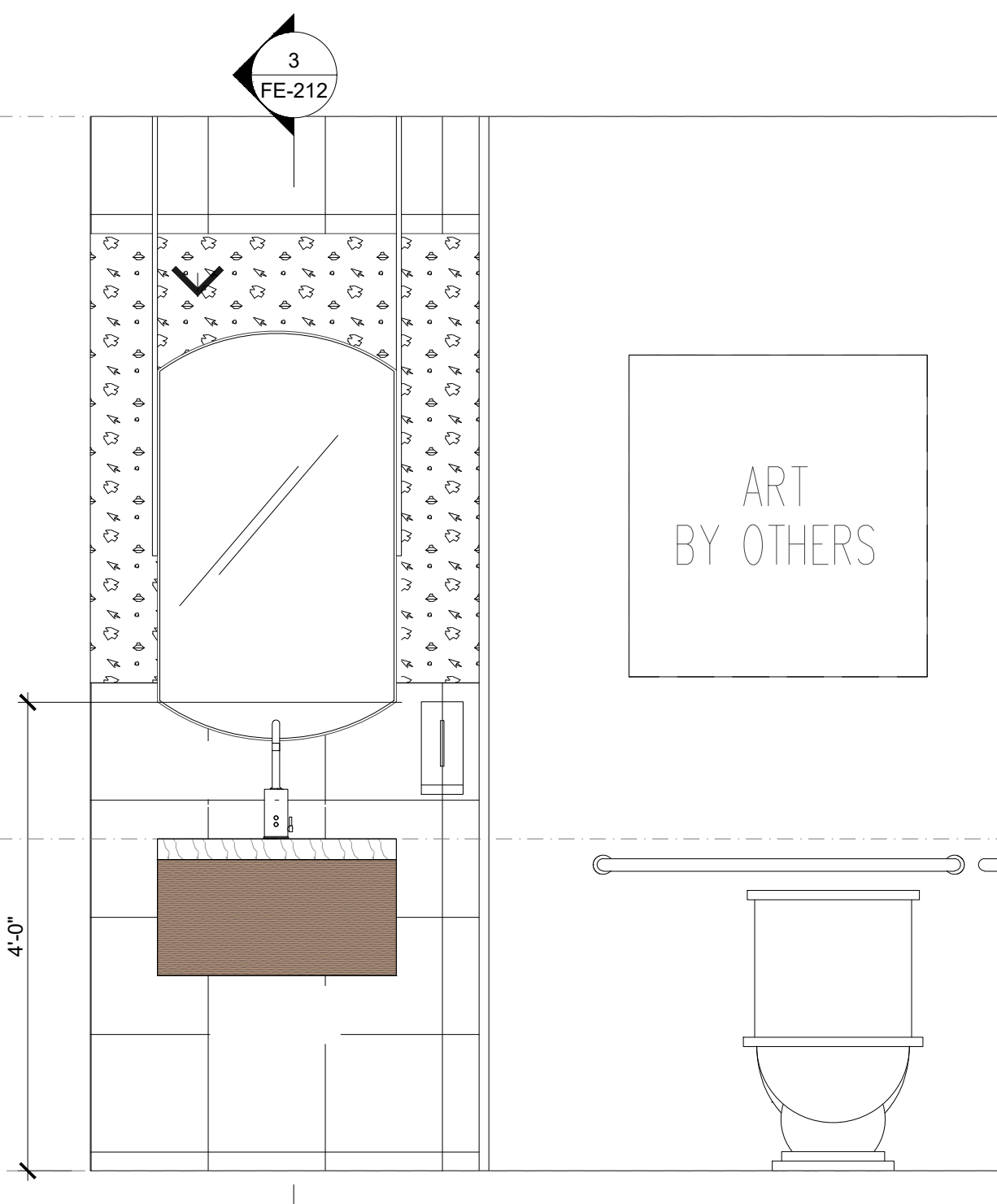
1 RESTROOM PLAN
FROM: RR-1 / ID-141 SCALE: 3/4" = 1'-0"



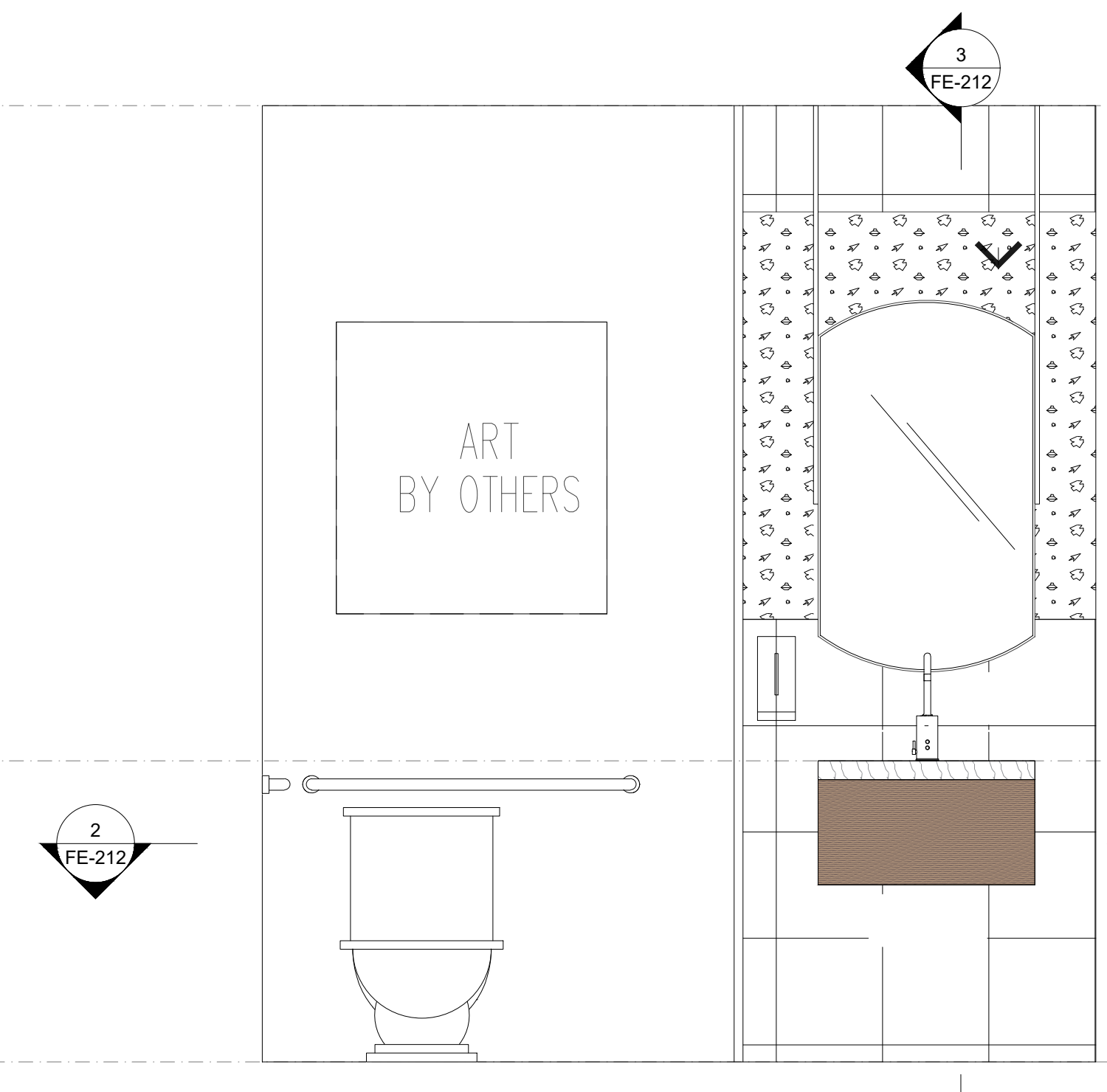
2 RESTROOM PLAN
FROM: RR-2 / ID-141 SCALE: 3/4" = 1'-0"



3 RESTROOM SECTION
FROM: A / ID-144 SCALE: 3/4" = 1'-0"



S RESTROOM ELEVATION
FROM: 3 / ID-141 SCALE: 3/4" = 1'-0"



T RESTROOM ELEVATION
FROM: 7 / ID-141 SCALE: 3/4" = 1'-0"

PL-01 - PLASTIC LAMINATE
ST-02 - PORCELAIN SLAB MARBLE LOOK (BY OTHERS)

PL-01 - PLASTIC LAMINATE
ST-02 - PORCELAIN SLAB MARBLE LOOK (BY OTHERS)

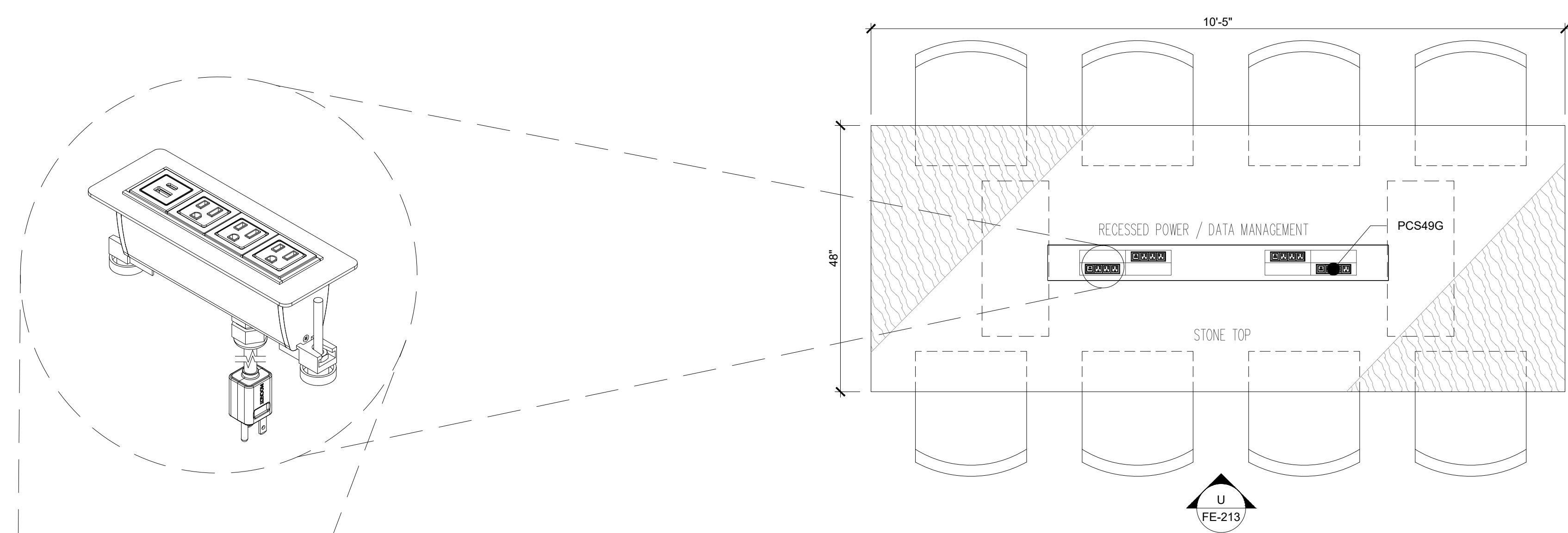
PROJECT:	SHOP DRAWING:
----------	---------------

REVISION N°	DATE	DESCRIPTION
1	2021.11.09	SUBMISSION 1
2	2021.12.20	SUBMISSION 2
3	2022.02.08	SUBMISSION 3

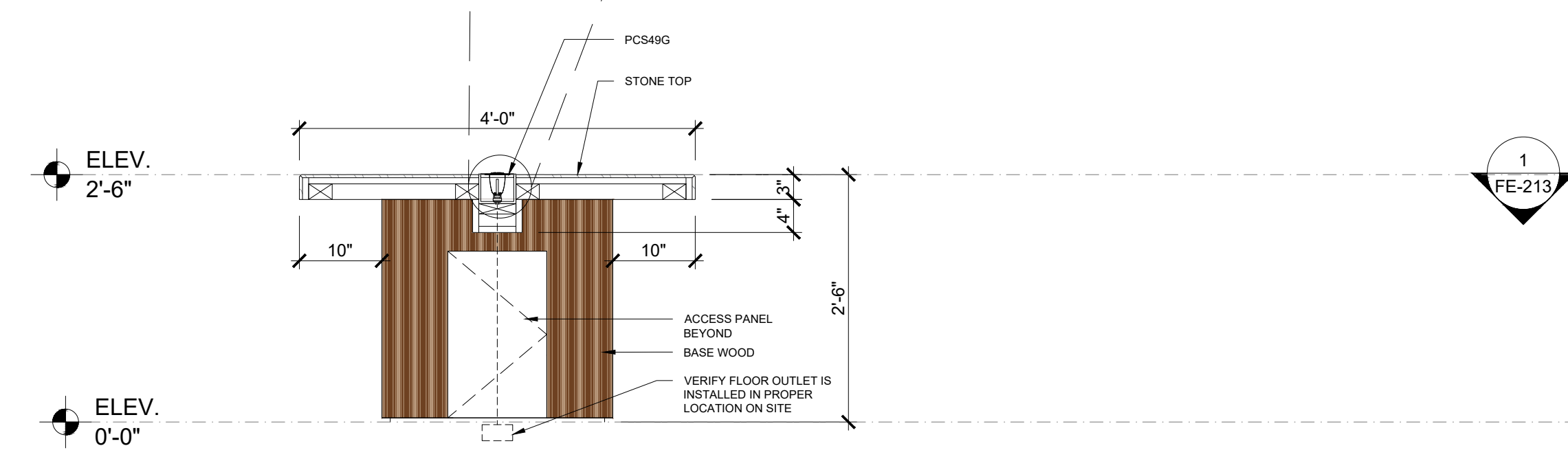
LOCATION:	JOB #:
	REVISED BY: D.C.
	DRAWN BY: D.P.

CONTENT:	DATE:
ELEVATION S - T	8/02/2022
	SCALE: 3/4" = 1'-0"
	SHEET NUMBER:

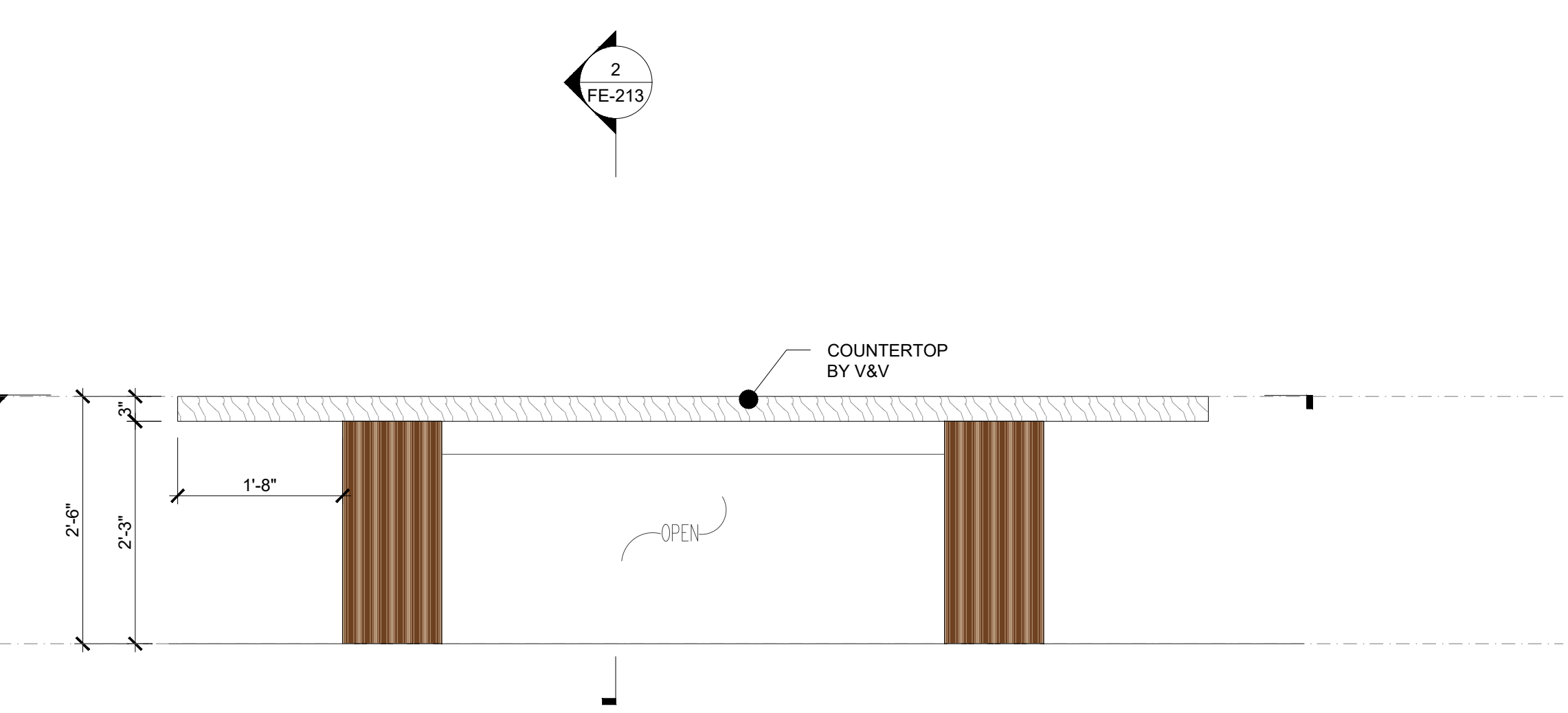
FE-212



1 CYMBAL MULTIFAMILY PLAN
FROM: FS01 / ID-132 SCALE: 3/4" = 1'-0"



2 CYMBAL MULTIFAMILY SECTION
FROM: A1 / ID-132 SCALE: 3/4" = 1'-0"



U CYMBAL MULTIFAMILY ELEVATION CO-WORK COMMUNITY TABLE
FROM: 1 / ID-132 SCALE: 3/4" = 1'-0"

- WD-02 - WD-02 3D WALL PANEL WHITE.INTERLAM ART DIFFUSION
- ST-02 - PORCELAIN SLAB MARBLE LOOK

PROJECT:	SHOP DRAWING:	<table border="1"> <thead> <tr> <th>REVISION N°</th> <th>DATE</th> <th>DESCRIPTION</th> </tr> </thead> <tbody> <tr> <td>1</td> <td>2021.11.09</td> <td>SUBMISSION 1</td> </tr> <tr> <td>2</td> <td>2021.12.20</td> <td>SUBMISSION 2</td> </tr> <tr> <td>3</td> <td>2022.02.08</td> <td>SUBMISSION 3</td> </tr> </tbody> </table>	REVISION N°	DATE	DESCRIPTION	1	2021.11.09	SUBMISSION 1	2	2021.12.20	SUBMISSION 2	3	2022.02.08	SUBMISSION 3	LOCATION:	CONTENT:	DATE:
REVISION N°	DATE	DESCRIPTION															
1	2021.11.09	SUBMISSION 1															
2	2021.12.20	SUBMISSION 2															
3	2022.02.08	SUBMISSION 3															
			JOB #:	ELEVATION U	8/02/2022												
			REVISED BY: D.C.		SCALE: 3/4" = 1'-0"												
			DRAWN BY: D.P.		SHEET NUMBER:												
					FE-213												